

For asbestos air sampling on renovation sites



AIR SAMPLING DEVICE FOR ASBESTOS

- On-site air sampling device for asbestos
- Easy to use: plug and use
- Procedure in accordance with approved air sampling practice
- Delivered calibrated and ready to use
- Reliable and accurate sampling with proven Kytola flow meters

FEATURES

Vacuum pump

Flow meter with flow adjustment valve

Compatible hose with quick connector

Electric-driven, 230 VAC

One flow point measuring

Two flow points measuring available as option

Timer

Fixed, programmable timer switch available as option

TYPICAL APPLICATIONS

Measuring asbestos content on renovation sites using air sampling

X-XA21

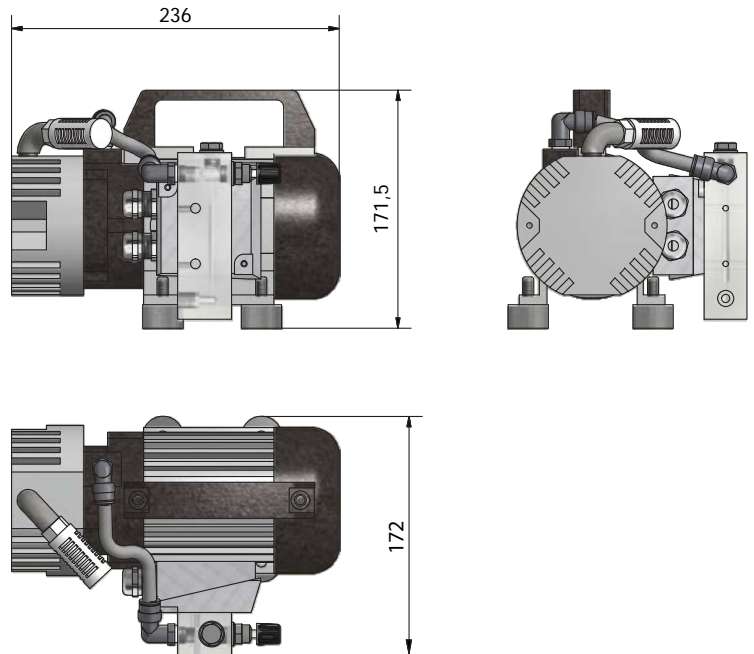
TECHNICAL DATA

Model	X-XA21
Flow range air	2–18 NL/min
Power supply	230 VAC (*120 VAC)
Ambient temperature	0...+40°C
Connections	Quick hose connection, hose inner \varnothing 8 mm, length 1.8 m**
Weight	6.2 kg incl. pump, flow meters

*On special request

**NOTE: To choose the correct sampling filter type, consult your sample analyzing lab. Filters are not included in Kytola delivery.

X-XA21-		-	-	-
Number of measuring points				
1		1		
2 (optional)		2		
Supply voltage				
120 VAC			1	
230 VAC			2	
Flow Range				
2–18 NL/min				R
5–40 SCFH				V



Kytola
INSTRUMENTS

www.kytola.com



Kytola Instruments Oy
Olli Kytölään tie 1
FI-40950 Muurame, Finland
Tel. +358 20 779 0690
Fax +358 14 631 419
E-mail info@kytola.com