

KYTOLA® Model DPP is a well type manometer designed for reliable monitoring and accurate measurement of low pressure and differential pressure in applications where clear visual indication is required.

The well type manometer has a wider range than the inclined tube manometer.



- Clear and easy reading
- Good contrast
- Zero adjustment screw
- Large filling liquid reservoir

ISO 9001 ISO 14001

## DIFFERENTIAL PRESSURE METER DPP

Model DPP is intended for use in laboratories, high-pressure fans, and air filters. It is also suitable for flow rate and velocity measurement in laboratories and in the field.

### FEATURES

Provided with filling liquid, mounting screws

### TYPICAL APPLICATIONS

Air conditioning strainers

Blowers

Dust filters

Pressurized enclosures

Laboratories

Flow rate and velocity measurement

Annealing furnaces

### OPTIONS

Scales in different units, e.g. W.C.

Special scale markings

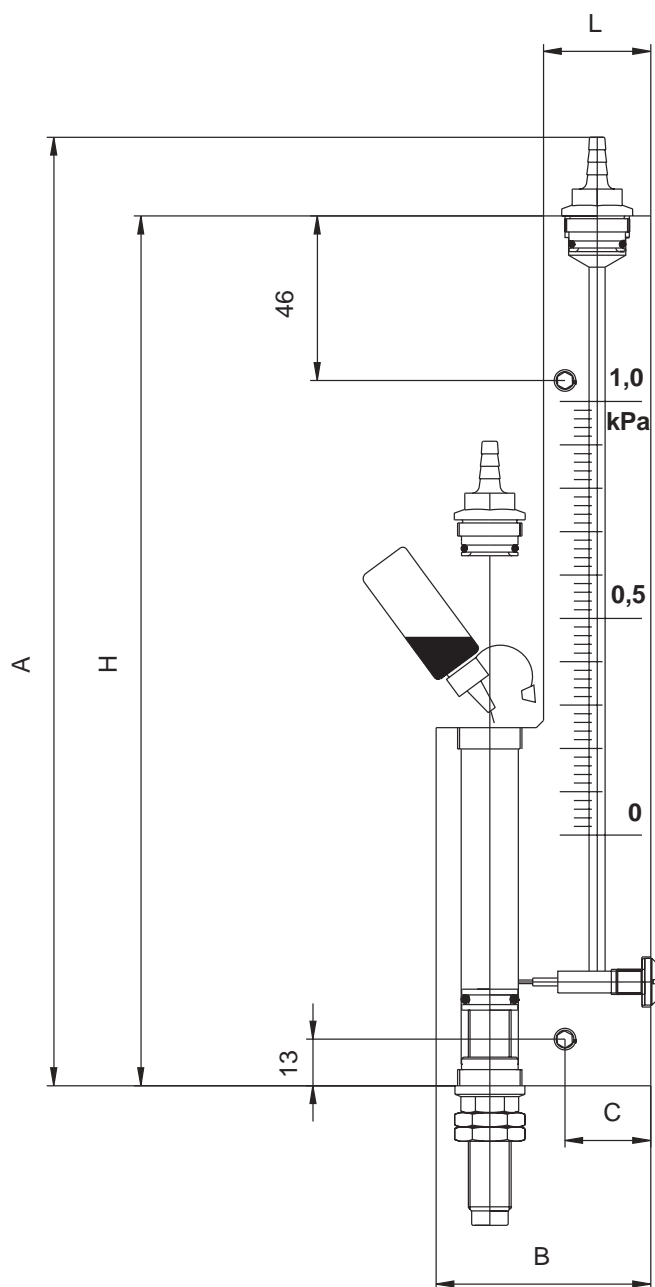
Customer logo

Hoses

| Model                | DPP-1K                                 | DPP-2K |
|----------------------|--|--------|
| Weight               | 350 g                                  | 450 g  |
| Metering liquid      | Red hydrocarbon mixture, $\rho = 0.78$ |        |
| Body                 | Acrylic (PMMA)                         |        |
| Connectors           | Polycarbonate (PC)                     |        |
| Seals                | Nitrile                                |        |
| Max. static pressure | 10 bar                                 |        |
| Ambient temperature  | -40°C ... +50°C                        |        |
| Accuracy             | $\pm 2.5\%$ of reading, $\pm 10$ Pa    |        |
| Connections          | For 4–6 mm I.D. hose                   |        |

## DPP-

| Scale     |    |
|-----------|----|
| 0 – 1 kPa | 1K |
| 0 – 2 kPa | 2K |



| DPP- | A (max.) | B  | C  | H   | L  |
|------|----------|----|----|-----|----|
| 1K   | 317      | 60 | 24 | 243 | 30 |
| 2K   | 447      | 60 | 24 | 373 | 30 |