

The KYTOLA® Oval Gear Meter Model SR1 is designed and developed for lubrication oil measurement in demanding industrial environments.

The Model SR1 oval gear meter is a positive displacement meter which always shows the correct flow rate regardless of oil temperature or viscosity changes.



- For oil
- Single channel model
- Max. 32 USGPM (120 LPM)
- Transparent cover
- Kytola coil or NAMUR sensors
- NPT or G thread connectors
- Flow adjustment valves
- ATEX version (II 2GD c TX) as option

ISO 9001 ISO 14001



OVAL GEAR METER SR1

FEATURES

Large viscosity range
30 – 1000 cSt

Independent of viscosity and
temperature changes

Transparent cover provides highly
visible oil flow indication

Pulse output

Sturdy construction

By-pass valves for service
“on the run” (SR1-1...SR1-6)

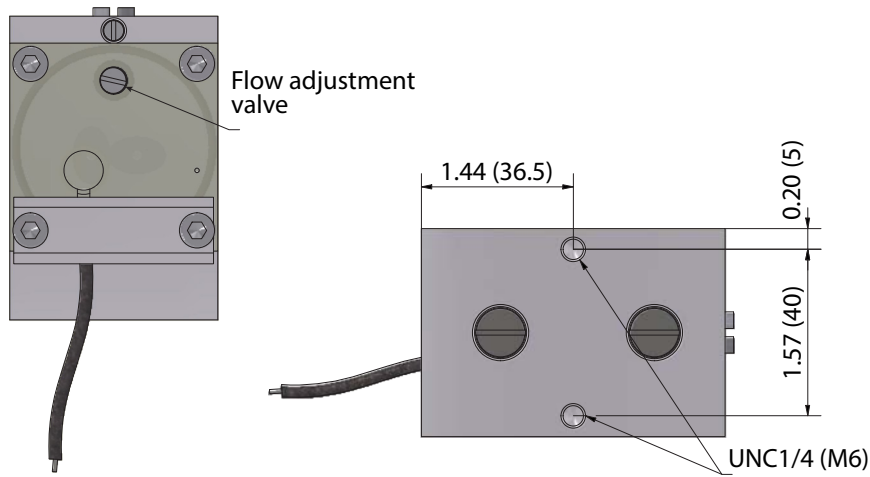
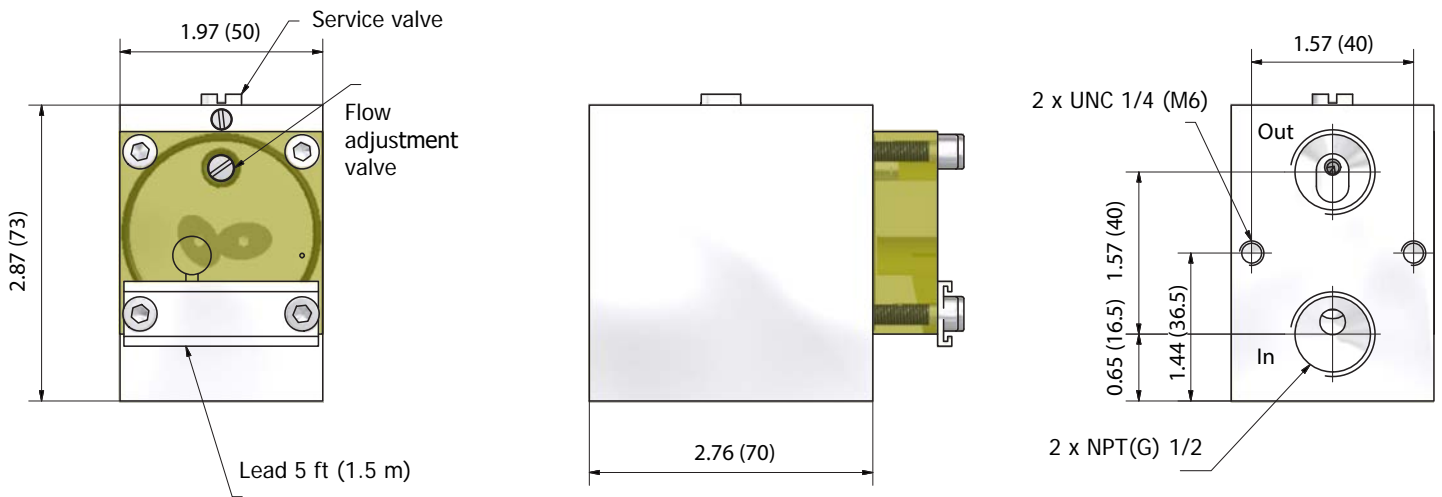
TYPICAL APPLICATIONS

Lubrication oil flow monitoring

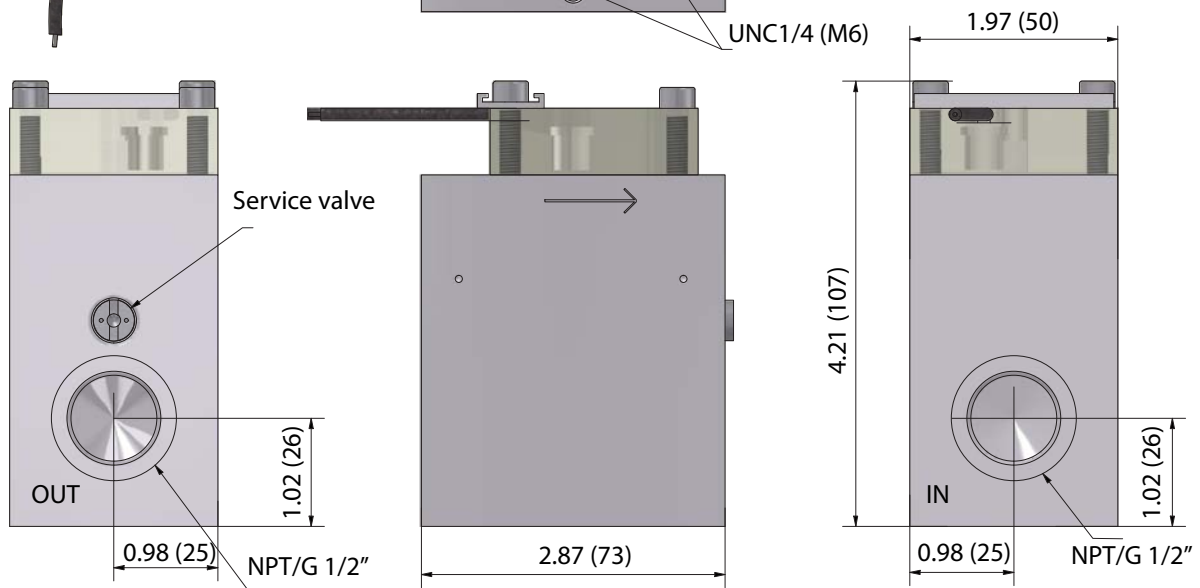
Industrial flow monitoring

Process control

SR1-1...6-SB

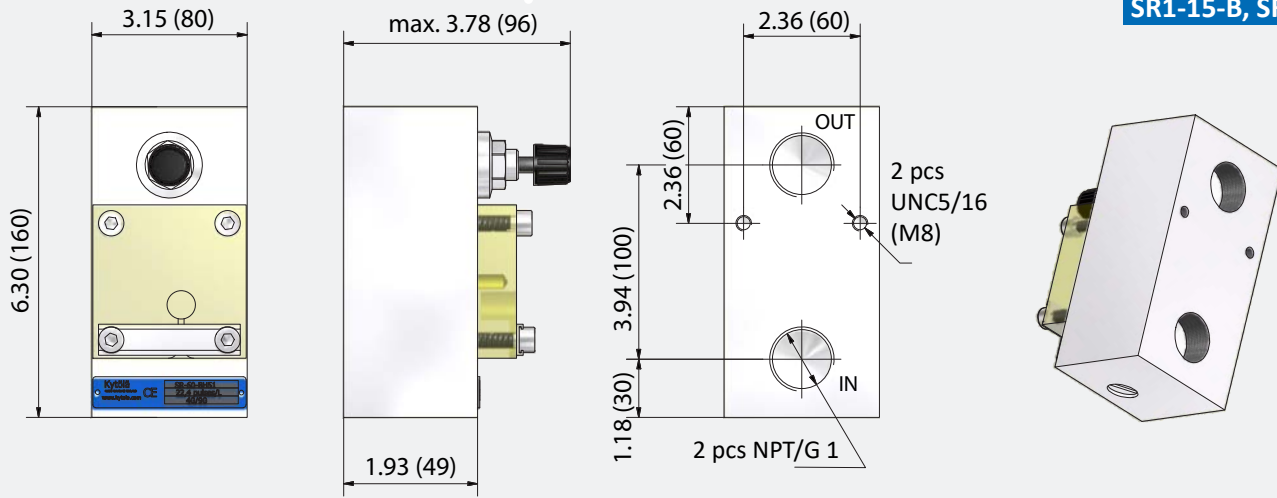


SR1-1...6-SE

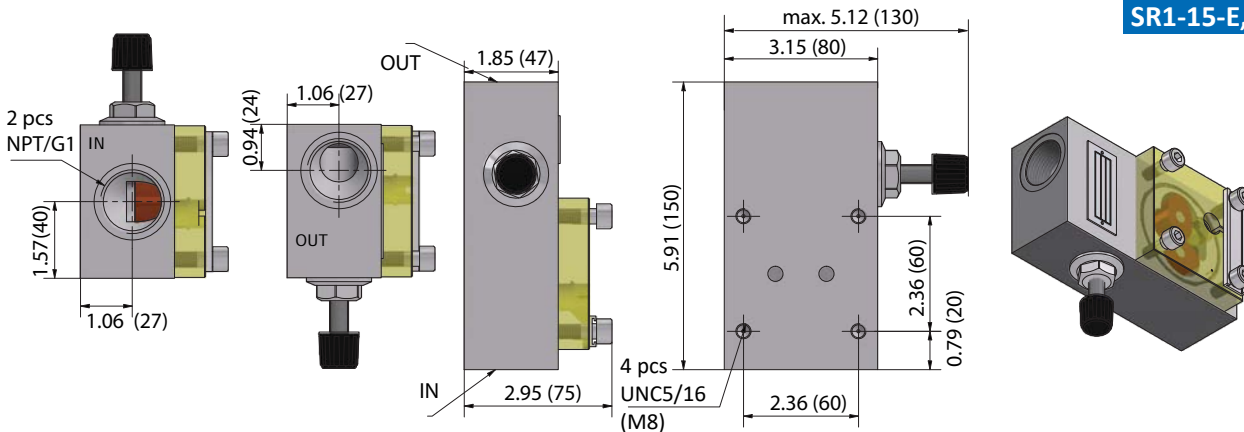


NOTE: Measurements in the drawings in this datasheet are in inches (and millimeters) if not stated otherwise.

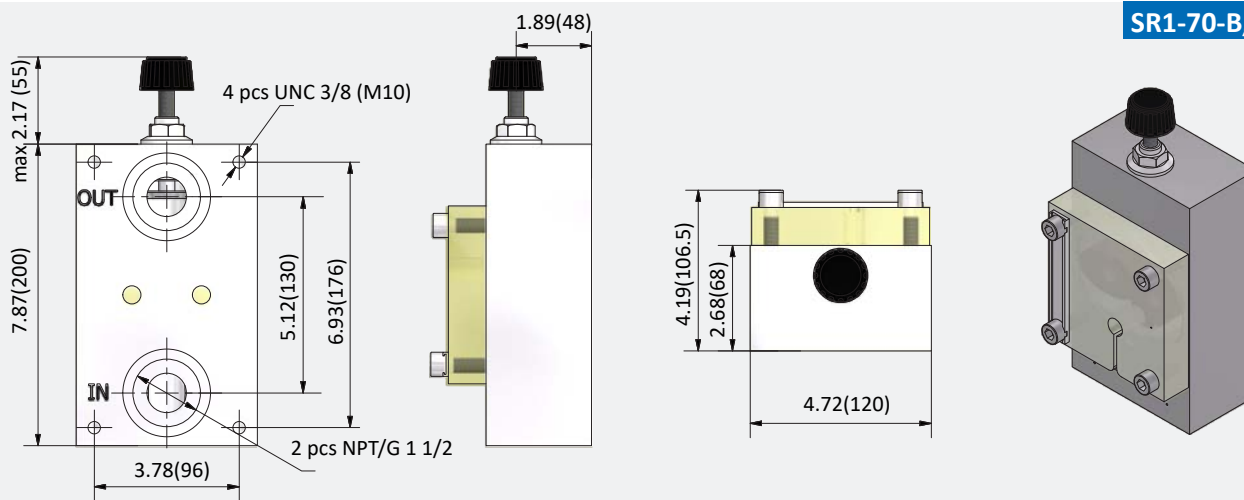
SR1-15-B, SR1-30-B



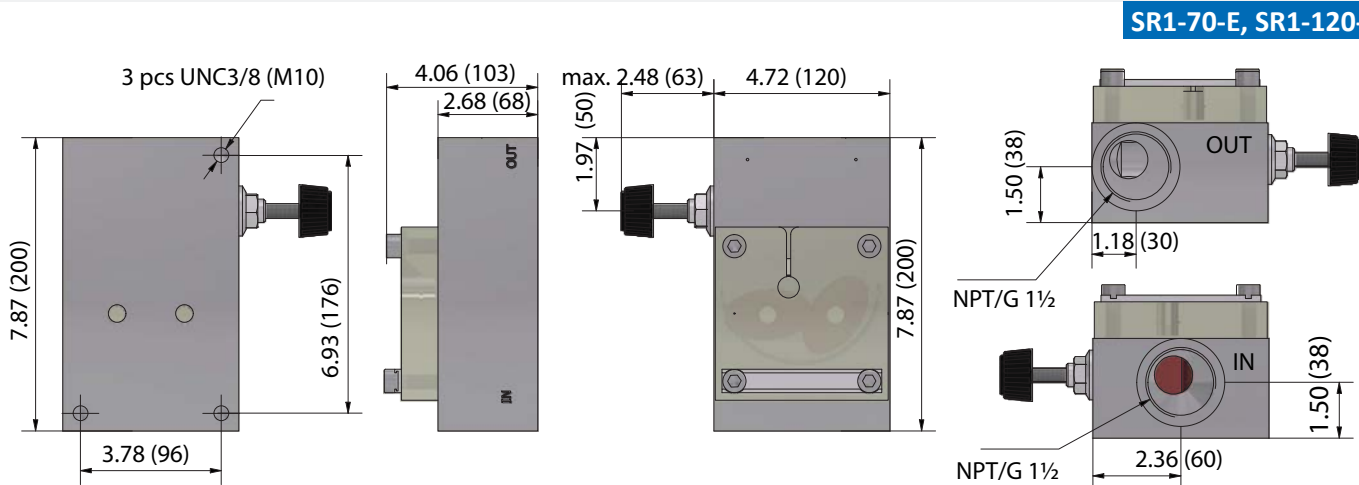
SR1-15-E, SR1-30-E



SR1-70-B, SR1-120-B



SR1-70-E, SR1-120-E



SR1 Single Channel

TECHNICAL DATA

Model	SR1-1	SR1-3	SR1-6
Flow range PPM (L/min)	0.2 – 3 (0.1 – 1.5)	0.4 – 6 (0.2 – 3)	1 – 12 (0.5 – 6)
Output pulses/pint (pulses/liter)	993.7 (2 100)	502.5 (1 062)	137.2 (290)
Connections G/NPT	1/2"	1/2"	1/2"
Body	Aluminium		
Gears	Composite polymer		
Cover	Polyamide		
Valve	AISI 316		
Seals	Viton®		
Sensor	Kytola coil (compatible with Kytola measuring stations) or NAMUR; EN 60947		
Max. pressure	145 psi (10 bar), 290 psi (20 bar)*		
Max. temperature	+176°F (+80°C)		
Viscosity range	30–1000 cSt		
Weight	1.3 lbs (0.6 kg)	1.3 lbs (0.6 kg)	1.3 lbs (0.6 kg)
Accuracy	±5% of reading		

Model	SR1-15	SR1-30	SR1-70	SR1-120
Flow range USGPM (L/min)	0.25 – 4 (1 – 15)	0.5 – 8 (2 – 30)	1.3 – 18 (5 – 70)	2.5 – 32 (10 – 120)
Output pulses/pint (pulses/liter)	60 (126.8)	35.87 (75.8)	10.6 (22.4)	8.328 (17.6)
Connections G/NPT	1"	1"	1½"	1½"
Body	Aluminium			
Gears	Bronze; EN 1982			
Cover	Polyamide			
Valve spindle	AISI 316			
Seals	Viton®			
Sensor	Kytola coil (compatible with Kytola measuring stations) or NAMUR; EN 60947			
Max. pressure	145 psi (10 bar), 290 psi (20 bar)*			
Max. temperature	+176°F (+80°C)			
Viscosity range	30–1000 cSt			
Weight	3.7 (1.7 kg)	4.2 lbs (1.9 kg)	11 lbs (5.0 kg)	11 lbs (5.0 kg)
Accuracy	±5% of reading			

* Special construction on request

SR1- **S** **□** **□** **□** **□**

Flow Range		
PPM	L/min	
0.2 – 3	0.1 – 1.5	1
0.4 – 6	0.2 – 3	3
1 – 12	0.5 – 6	6

Service valve **S**

Connection Type		
Back connections		B
End connections		E

Connections		
G threads		G
NPT threads		N

Sensor		
Kytola coil (compatible with Kytola measuring stations)		C
NAMUR; EN 60947		A
Without sensor (M12 x 1 thread)		D

Special Feature		
No ATEX		<i>blank</i>
ATEX version – only with NAMUR sensor		Z

Please choose options A and Z

SR1- **□** **□** **□** **□** **□**

Flow Range		
USGPM	L/min	
0.25 – 4	1 – 15	15
0.5 – 8	2 – 30	30
1.3 – 18	5 – 70	70
2.5 – 32	10 – 120	120

Connection Type		
Back connections		B
End connections		E

Connections		
G threads		G
NPT threads		N

Sensor		
Kytola coil (compatible with Kytola measuring stations)		C
NAMUR; EN 60947		A
Without sensor (M12 x 1 thread)		D

Special Feature		
No ATEX		<i>blank</i>
ATEX version – only with NAMUR sensor		Z

Please choose options A and Z

Standard feature: leave *blank*



www.kytola.ca



Kytola Instruments Inc.

900 Old Roswell Lakes Parkway, Suite 120

Roswell, GA 30076, USA

Tel: +1 678 701 3569

Fax: +1 514 448 5151

E-mail: flow@kytola.ca