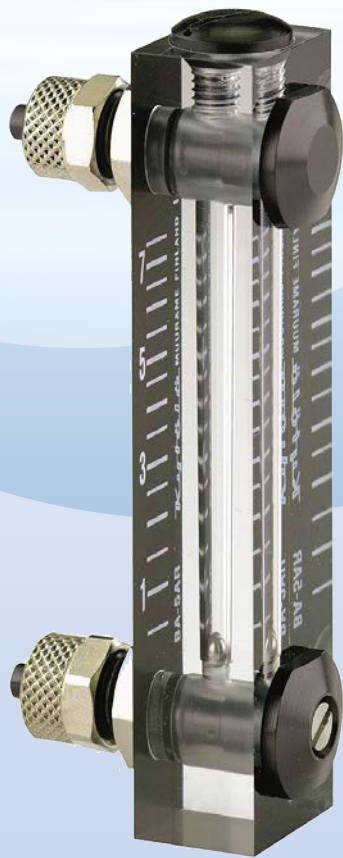


The KYTOLA® variable area flow meter Model BA is a high quality acrylic flow meter. It is designed for monitoring of low air flow rates.

Model BA comes with a built-in flow adjustment valve and rapid fittings for plastic hose.



- For gas
- Flow rate up to 7.5 NL/min
- Maximum pressure 10 bar
- Maximum temperature 75°C

FLOW METER BA

FEATURES

- Acrylic body
- Connections for plastic hose
- Needle valve

TYPICAL APPLICATIONS

- Gas purging for enclosures
- Gas purging for level measurement
- Gas purging for differential pressure measurements

OPTIONS

- Special scale markings
- Hand knob in needle valve
- Viton® or EPDM seals

Model	BA
Body	Acrylic (PMMA)
Valve housing	Aluminium
Valve spindle	AISI 316
Seals	Nitrile (*Viton®, *EPDM)
Plugs	POM, aluminium
Float	AISI 316
Accuracy	±10% F.S. (H ₂ O, 20°C)
Max. pressure	10 bar
Max. temperature	+ 75°C
Connections	Rapid fittings for o.d. 6 mm / i.d. 4 mm hose
Weight	60 g

BA- ■ ■ - ■

Flow Range

0.2 – 1.4 NL/min

4A

0.5 – 7.5 NL/min

5A

Scale

Air (NL/min) at +20°C/1.013 bar abs

R

1 – 10 relative

D

Special Feature

Hand knob in valve

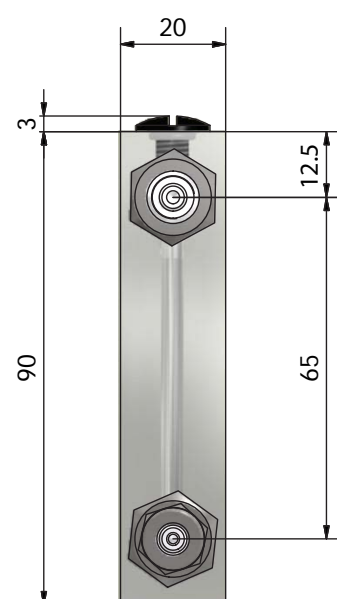
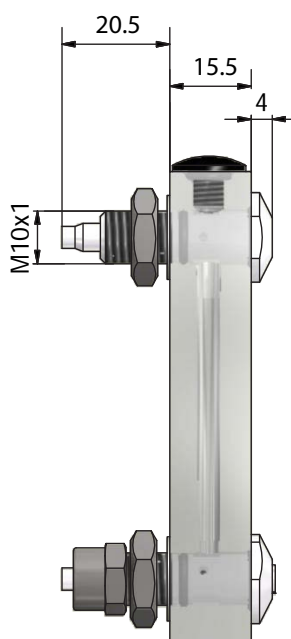
H

Viton seals

V

Without valve

O



*) Special construction on request