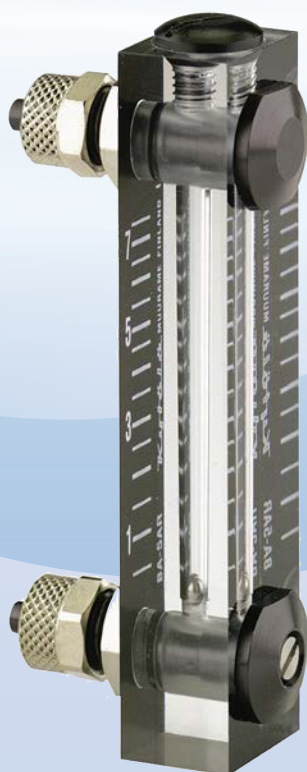


The KYTOLA® variable area flow meter Model BA is a high quality acrylic flow meter. It is designed for monitoring of low gas flow rates.

Model BA comes with a built-in flow adjustment valve and rapid fittings for plastic hose.



- For air and gas
- Flow rate air up to 16 SCFH (7.5 NL/min)
- Maximum pressure 145 psi (10 bar)
- Maximum temperature 167°F (75°C)

ISO 9001 ISO 14001

FLOW METER BA

FEATURES

- Acrylic body
- Connections for plastic hose
- Needle valve

TYPICAL APPLICATIONS

- Gas purging for enclosures
- Gas purging for level measurement
- Gas purging for differential pressure measurements

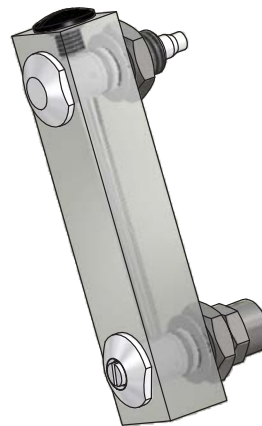
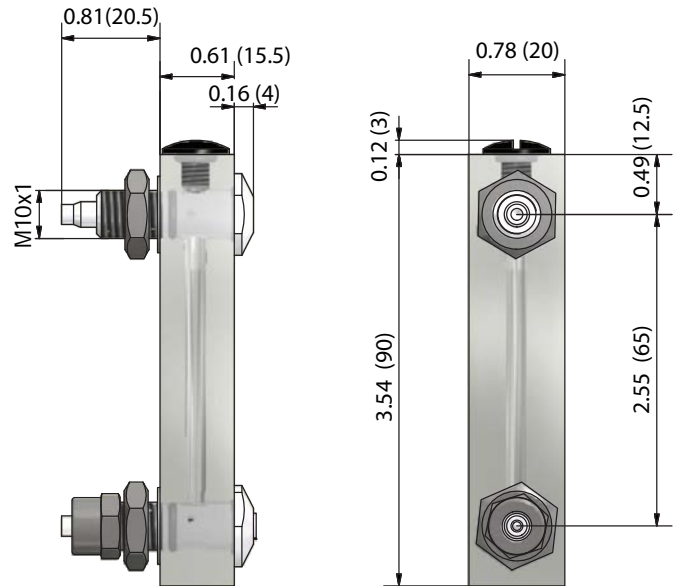
OPTIONS

- Special scale markings
- Hand knob in needle valve
- Viton® or EPDM seals

Model	BA
Body	Acrylic (PMMA)
Valve housing	Aluminium
Valve spindle	AISI 316
Seals	Nitrile (*Viton®, *EPDM)
Plugs	POM, aluminium
Float	AISI 316
Accuracy	±10% F.S. (H ₂ O, 70°F/20°C)
Max. pressure	145 psi (10 bar)
Max. temperature	167°F (75°C)
Connections	Rapid fittings for o.d. 6 mm / i.d. 4 mm hose
Weight	2.1 oz (60 g)

* Special construction on request

BA- [] - []	
Flow Range	
0.5 – 3.25 SCFH 0.2 – 1.4 NL/min	4A
2 – 16 SCFH 0.5 – 7.5 NL/min	5A
Scale	
Air (NL/min) at +20°C / 1.013 bar abs	R
1 – 10 relative	D
Special Feature	
Hand knob in valve	H
Viton seals	V
EPDM seals	Y
Without valve	O



NOTE: Measurements in the drawings in this datasheet are in inches (and millimeters) if not stated otherwise.

Copyright © Kytola Instruments Oy 2019. Dimensions and measurements are given within normal tolerances. Manufacturer reserves the right to changes without prior notification. BA_es11NA_en Published 5/2022.



www.kytola.ca



Kytola Instruments Inc.
 900 Old Roswell Lakes Parkway, Suite 120
 Roswell, GA 30076, USA
 Tel: +1 678 701 3569
 Fax: +1 514 448 5151
 E-mail: flow@kytola.ca