

KYTOLA® Model H Variable Area Flow Meter is an industrial flow meter.

It comes with an injection molded impact resistant flow tube with threaded or socket type connections.



- For liquid or gas
- Good corrosion resistance
- Threaded or socket type connections
- Scales up to
22 m³/h H₂O
14 Nm³/min air

ISO 9001 ISO 14001

FLOW METER HV, HK, HT

Model H is a reliable instrument for measuring and monitoring liquid and gas flows.

FEATURES

- Low cost
- Large variety of flow ranges

TYPICAL APPLICATIONS

- Process industry
- Chemical industry
- Water treatment plants
- Flow measurement in PVC piping
- General liquid and gas measurement

OPTIONS

- Scales for alternative liquids and gases
- Special scale markings
- Viton® or EPDM seals
- Low and high flow alarm

Model	HV	
Connection size	G/NPT 1/2" or 20 mm socket	
Weight	120 g	
Max. pressure	10 bar at 20°C	
Max. temperature	50°C at 2 bar	
Flow tube	Grilamid (PA-12) or PES	
Connectors	PVC	
Float	AISI 329 or AISI 329/PTFE (depending on range) Note! Other possible wetted metal parts: AISI 316	
Seals	Nitrile (*Viton® or EPDM)	
Accuracy	±5% F.S. (H ₂ O +20°C)	*Special construction on request

H V - -

Connections

Without PVC connectors	<i>blank</i>
Socket type connectors, Ø20mm	H
NPT 1/2" threads	N
G 1/2" threads	R

Flow Range

H ₂ O m ³ /h	Air Nm ³ /min	
0.02 – 0.11	0.015 – 0.07	6H
0.04 – 0.2	0.03 – 0.13	3H
0.075 – 0.3	0.04 – 0.18	3K
0.15 – 0.5	0.06 – 0.28	3L
0.15 – 0.6	0.075 – 0.3	3M
0.2 – 1.0	0.1 – 0.5	4D
0.2 – 1.3	0.1 – 0.65	4E
0.3 – 1.8	0.2 – 0.9	4F

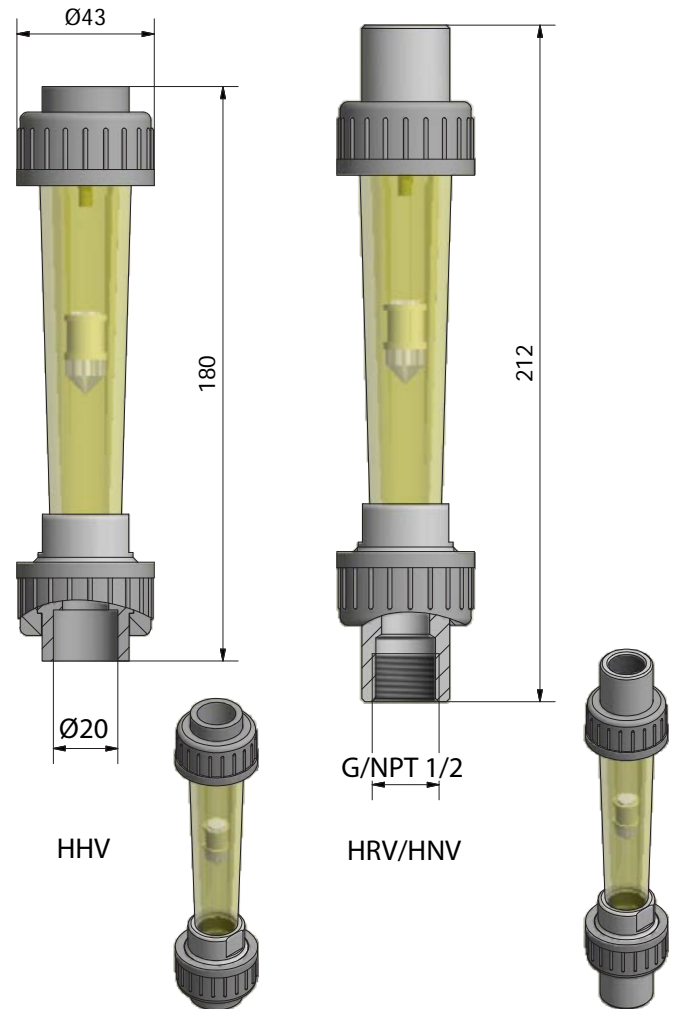
Scale

H ₂ O (m ³ /h) at +20°C	C
Air (Nm ³ /min) at +20°C/1.013 bar (abs)	S

Features

Grilamid flow tube, nitrile seals	<i>blank</i>
PES flow tube, nitrile seals	V
PES flow tube, Viton® seals	W
Grilamid flow tube, Viton® seals	X

Standard feature: leave *blank*
Special feature: choose Character



Model	HK	
Connection size	G/NPT 3/4" or 25 mm socket	
Weight	280 g	
Max. pressure	10 bar at 20°C	
Max. temperature	50°C at 2 bar	
Flow tube	Grilamid (PA-12) or PES	
Connectors	PVC	
Float	AISI 329 or AISI 329/PTFE (depending on range) Note! Other possible wetted metal parts: AISI 316	
Seals	Nitrile (*Viton® or EPDM)	
Accuracy	±5% F.S. (H ₂ O +20°C)	*Special construction on request

H K- - -

Connections

Without PVC connectors	<i>blank</i>
Socket type connectors, Ø25 mm	H
NPT 3/4" threads	N
G 3/4" threads	R

Flow Range

H ₂ O m ³ /h	Air Nm ³ /min	
0.3 – 1.2	0.14 – 0.6	4F
0.5 – 2	0.25 – 1	4E
0.6 – 2.6	0.25 – 1.2	4A
0.8 – 3.4	0.4 – 1.7	4B
0.8 – 3.6	0.4 – 1.8	4C
1 – 4.75	0.4 – 2.2	4D

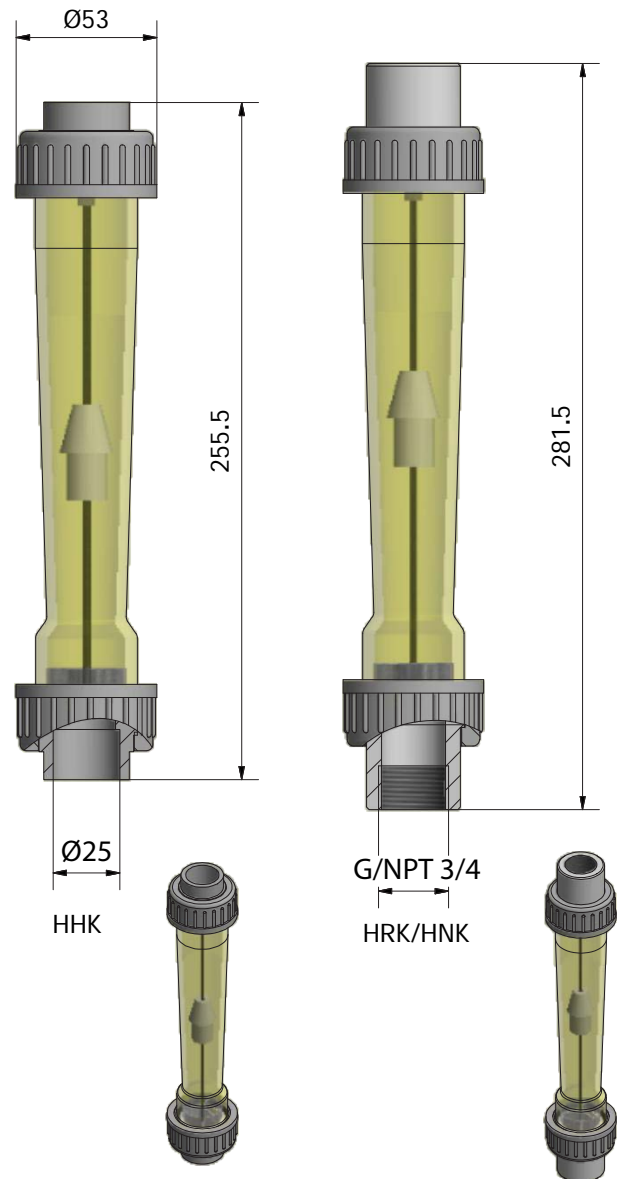
Scale

H ₂ O (m ³ /h) at +20°C	C
Air (Nm ³ /min) at +20°C/1.013 bar (abs)	S

Features

Grilamid flow tube, nitrile seals	<i>blank</i>
PES flow tube, nitrile seals	V
PES flow tube, Viton® seals	W
Grilamid flow tube, Viton® seals	X

Standard feature: leave *blank*
Special feature: choose Character



Model	HT	
Connection size	G/NPT 1 1/4" or 50 mm socket	
Weight	980 g	
Max. pressure	10 bar at 20°C	
Max. temperature	50°C at 2 bar	
Flow tube	Grilamid (PA-12) (*PES)	
Connectors	PVC	
Float	AISI 329 or AISI 329/PTFE (depending on range) Note! Other possible wetted metal parts: AISI 316	
Seals	Nitrile (*Viton® or EPDM)	
Accuracy	±5% F.S. (H ₂ O +20°C)	*Special construction on request

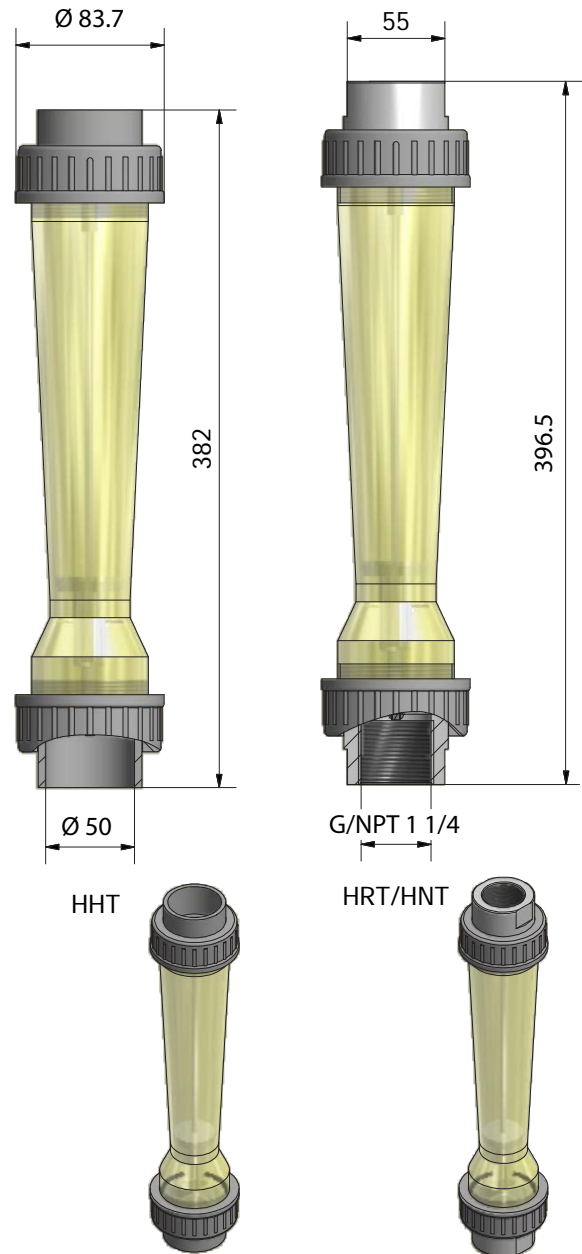
Connections		H	T-	-	-
Without PVC connectors	<i>blank</i>				
Socket type connectors, Ø50mm		H			
NPT 1 1/4" threads		N			
G 1 1/4" threads		R			

Flow Range		
H ₂ O m ³ /h	Air Nm ³ /min	
0.5 – 3	0.35 – 2	4E
0.6 – 6.4	0.4 – 3	4A
0.5 – 9.5	0.5 – 4.25	4F
1.5 – 12	1 – 6	4B
2 – 18	1 – 8.5	4C
4 – 22	2 – 14	4D

Scale		
H ₂ O (m ³ /h) at +20°C		C
Air (Nm ³ /min) at +20°C/1.013 bar (abs)		S

Features		
Grilamid flow tube, nitrile seals	<i>blank</i>	
PES flow tube, nitrile seals		V
PES flow tube, Viton® seals		W
Grilamid flow tube, Viton® seals		X

Standard feature: leave *blank*
Special feature: choose Character



Copyright © Kytola Instruments Oy 2021. Dimensions and measurements are given within normal tolerances. Manufacturer reserves the right to changes without prior notification. File H_es15_en Published 10/2021.