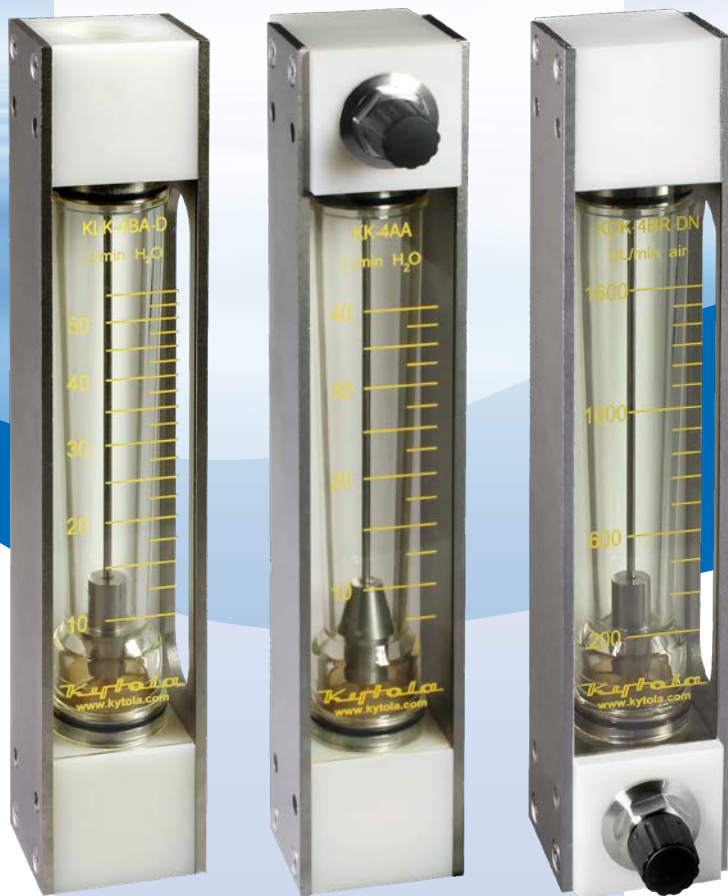


The KYTOLA variable area flow meter Model K is a reliable instrument for measuring and monitoring of medium range flows of liquids and gases.



## FLOW METER KL, K, KD

### FEATURES

Sturdy construction with protected flow tube

Models K and KD with built-in flow adjustment valve

Stainless steel side plates

### TYPICAL APPLICATIONS

Sealing water measurements for vacuum pumps

Lubrication oil measurements

Gas flow measurements

Flush water applications

### OPTIONS

Scales for alternative liquids and gases

PES flow tube

Viton® or EPDM seals

Quick change flow tube

Low and/or high flow alarm

- For liquid or gas
- Large selection of materials
- Scales up to 10 – 120 L/min (H<sub>2</sub>O) or 400 – 3000 NL/min (Air)
- Connections G or NPT 1"

Model	KLA	KLH	KLK
End blocks	Aluminium	AISI 316	Nylon
Side plates	AISI 316	AISI 316	AISI 316
Max. pressure	30 bar	30 bar	20 bar
Max. temperature	80°C (*120°C)	80°C (*120°C)	80°C
Weight	1.9 kg	3.1 kg	1.4 kg
Flow tube	Grilamid (PA-12) (*PES)		
Connections	G 1" or NPT 1"		
Float	AISI 329 Note! Other possible wetted metal parts: AISI 316		
Seals	Nitrile (*Viton®, EPDM)		
Accuracy	±5% F.S. (H <sub>2</sub> O, +20°C)		

\*Special construction on request

KL   -     -  

End Block Material		
Aluminium (not for H <sub>2</sub> O)	A	
AISI 316	H	
Nylon	K	

Flow Range		
H <sub>2</sub> O L/min	Air NL/min	
7.5 – 40	200 – 1200	4A
10 – 55	200 – 1500	4B
10 – 65	300 – 1800	4C
10 – 85	400 – 2200	4D
10 – 120	400 – 3000	4E

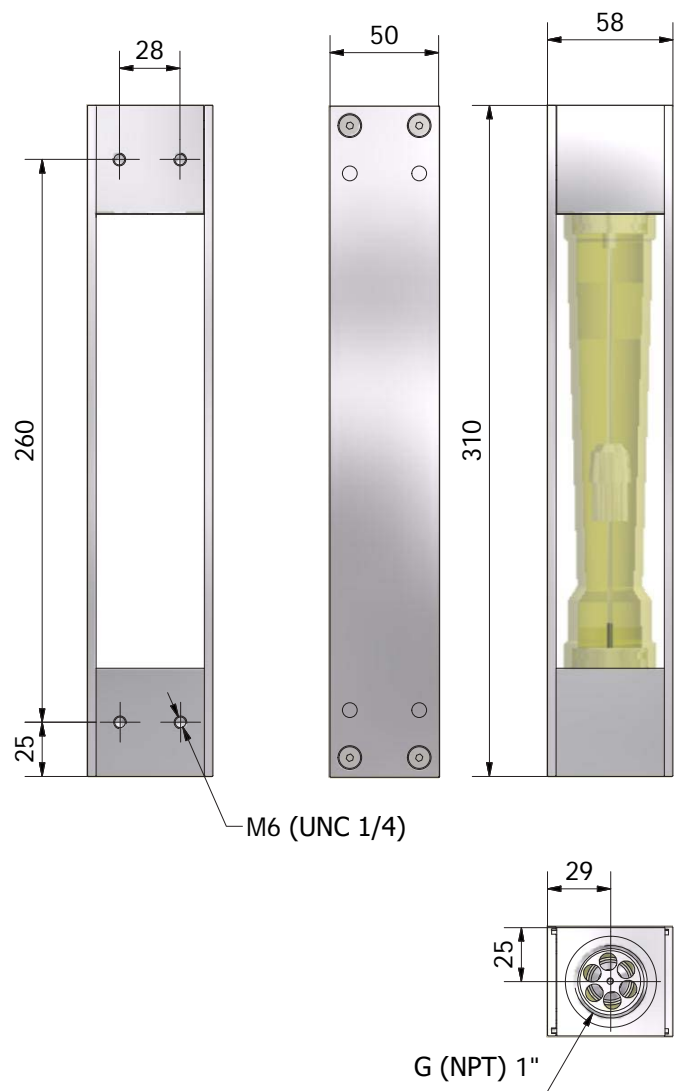
  

Scale		
H <sub>2</sub> O (L/min) at +20°C	A	
Air (NL/min) at +20°C/1.013 bar (abs)	R	

Features		
Alarm readiness	D	
G connections	blank	
NPT connections	N	
Grilamid flow tube, nitrile seals	blank	
PES flow tube, nitrile seals	V	
PES flow tube, Viton® seals	W	
Grilamid flow tube, Viton® seals	X	

Standard feature: leave *blank*  
Special feature: choose Character



Model	KA	KH	KK
End blocks	Aluminium	AISI 316	Nylon
Side plates	AISI 316	AISI 316	AISI 316
Max. pressure	30 bar	30 bar	20 bar
Max. temperature	80°C (*120°C)	80°C (*120°C)	80°C
Weight	1.9 kg	3.1 kg	1.4 kg
Valve housing	Aluminium	AISI 316	AISI 316
Valve spindle	AISI 316	AISI 316	AISI 316
Flow tube	Grilamid (PA-12) (*PES)		
Connections	G 1" or NPT 1"		
Float	AISI 329		
Seals	Nitrile (*Viton®, EPDM)		
Accuracy	±5% F.S. (H <sub>2</sub> O, +20°C)		

\*Special construction on request

K ■ - ■ ■ - ■ ■

**End Block Material**

Aluminium (not for H <sub>2</sub> O)	A
AISI 316	H
Nylon	K

**Flow Range**

H <sub>2</sub> O L/min	Air NL/min	
7.5 – 40	200 – 1200	4A
7.5 – 55	200 – 1600	4B
10 – 65	200 – 1800	4C
10 – 85	400 – 2600	4D
10 – 120	400 – 2800	4E

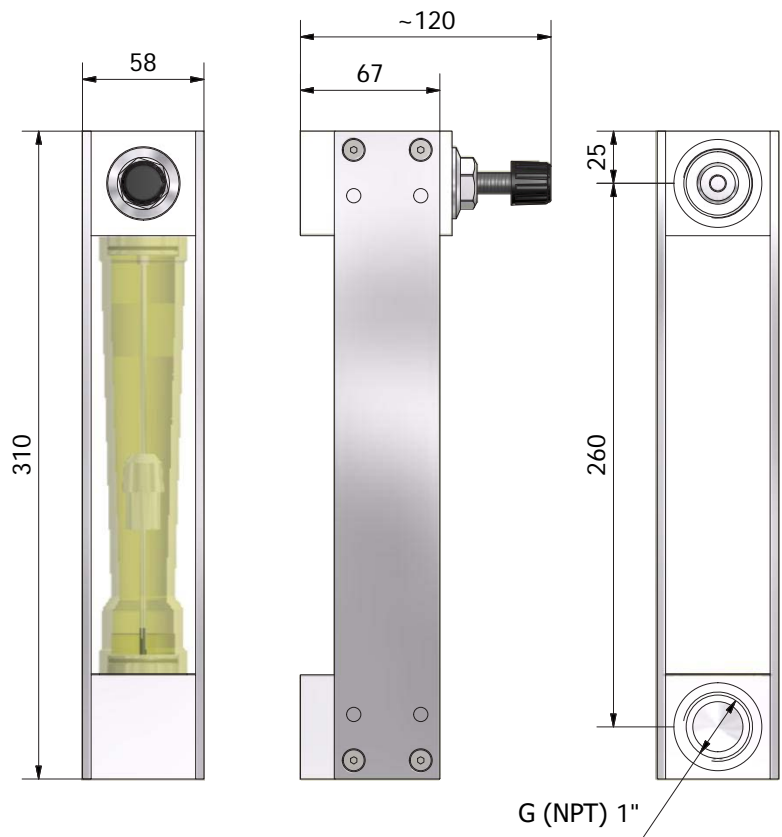
**Scale**

H <sub>2</sub> O (L/min) at +20°C	A
Air (NL/min) at +20°C/1.013 bar (abs)	R

**Features**

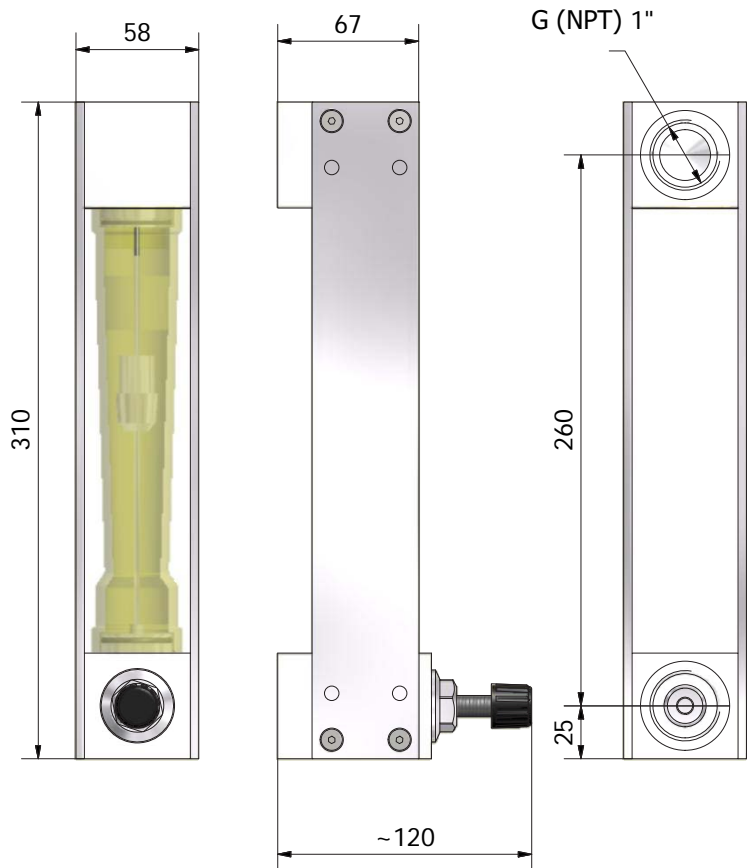
Alarm readiness	D
G connections	blank
NPT connections	N
Grilamid flow tube, nitrile seals	blank
PES flow tube, nitrile seals	V
PES flow tube, Viton® seals	W
Grilamid flow tube, Viton® seals	X

Standard feature: leave *blank*  
 Special feature: choose Character



Model	KDA	KDH	KDK
End blocks	Aluminium	AISI 316	Nylon
Side plates	AISI 316	AISI 316	AISI 316
Max. pressure	30 bar	30 bar	20 bar
Max. temperature	80°C (*120°C)	80°C (*120°C)	80°C
Weight	1.9 kg	3.1 kg	1.4 kg
Valve housing	Aluminium	AISI 316	AISI 316
Valve spindle	AISI 316	AISI 316	AISI 316
Flow tube	Grilamid (PA-12) (*PES)		
Connections	G 1" or NPT 1"		
Float	AISI 329		
Seals	Nitrile (*Viton®, EPDM)		
Accuracy	±5% F.S. (H <sub>2</sub> O, +20°C)		
*Special construction on request			

KD				
<b>End Block Material</b>				
Aluminium	A			
AISI 316	H			
Nylon	K			
<b>Flow Range Air NL/min</b>				
200 – 1200		4A		
200 – 1700		4B		
300 – 2000		4C		
400 – 2600		4D		
400 – 3000		4E		
<b>Scale</b>				
Air (NL/min) at +20°C/1.013 bar (abs)	R			
<b>Features</b>				
Alarm readiness			D	
G connections		blank		
NPT connections			N	
Grilamid flow tube, nitrile seals		blank		
PES flow tube, nitrile seals			V	
PES flow tube, Viton® seals			W	
Grilamid flow tube, Viton® seals			X	
Standard feature: leave <i>blank</i>				
Special feature: choose Character				



Copyright © Kytola Instruments Oy 2021. Dimensions and measurements are given within normal tolerances. Manufacturer reserves the right to changes without prior notification. File\_K\_es14\_en Published 2/2021.