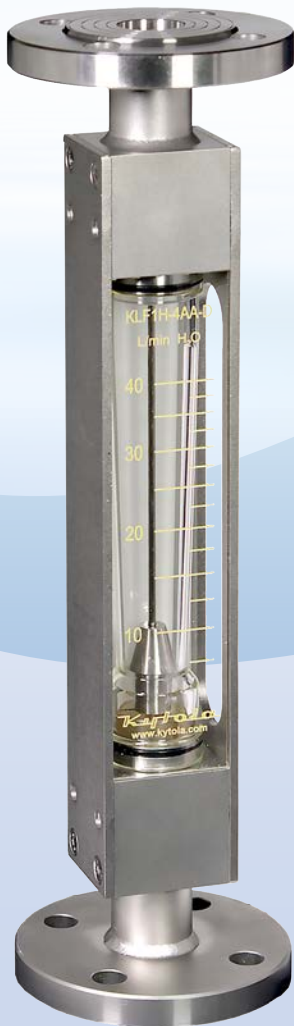


The KYTOLA® model KLFH is a sturdy industrial variable area flow meter. It is a reliable instrument for measuring and monitoring liquid and gas flows.



- Flange connections DN or ANSI
- Flow rate water up to 120 L/min
- Flow rate air up to 3000 NL/min
- Alarm-ready

ISO 9001 ISO 14001

FLOW METER KLFH

FEATURES

Sturdy construction with protected flow tube

Stainless steel body and side plates

TYPICAL APPLICATIONS

Sealing water measurement of vacuum pumps

Lubrication oil measurements

Liquid and gas flow measurements

Flush water applications

OPTIONS

Scales for alternative liquids and gases

PES flow tube

Viton or EPDM seals

Low and high flow alarm

Model	KLF1H	KLF2H
Connections	DN25 PN25, ANSI 1" 150 lbs flanges	DN40 PN25, ANSI 1½" 150 lbs flanges
Weight	5.1 kg	6.3 kg
Max temperature	80°C (*120°C)	80°C (*120°C)
Body	AISI 316	AISI 316
Float	AISI 329 Note! Other possible wetted metal parts: AISI 316	
Flow tube	Grilamid (PA-12) or *PES	
Seals	Nitrile (*Viton®, *EPDM)	
Accuracy	± 5% F.S. (H ₂ O, 20°C)	

*) Special construction on request

KLF ■ - ■ ■ - ■

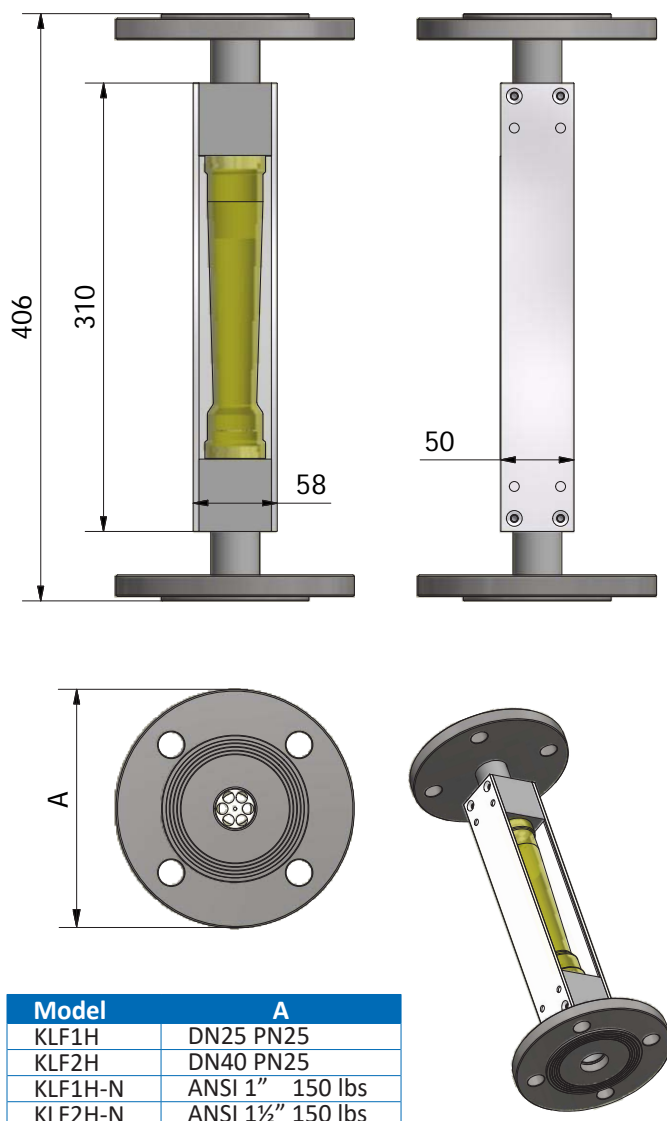
Connections		
DN25 or ANSI 1" flanges	1H	
DN40 or ANSI 1½" flanges	2H	

Flow Range		
H ₂ O L/min	Air NL/min	
7.5 – 40	200 – 1200	4A
10 – 55	200 – 1500	4B
10 – 65	300 – 1800	4C
10 – 85	400 – 2200	4D
10 – 120	400 – 3000	4E

Scale		
H ₂ O L/min at +20°C		A
Air (NL/min) at +20°C/1.013 bar (abs)		R

Special Feature		
Alarm readiness		D
DN connections	<i>blank</i>	
ANSI connections		N
Grilamid flow tube, nitrile seals	<i>blank</i>	
PES flow tube, nitrile seals		V
PES flow tube, Viton® seals		W
Grilamid flow tube, Viton® seals		X

Standard feature: leave *blank*
Special feature: choose Character



Copyright © Kytola Instruments Oy 2016. Dimensions and measurements are given within normal tolerances. Manufacturer reserves the right to changes without prior notification. File KLFH_es11_en Published 5/2022.