

The KYTOLA® Variable Area Flow Meter Model L is a sturdy industrial flow meter.

Model L is a reliable instrument for measuring and monitoring liquid and gas flows.



- Several flow ranges
- Scales for alternative gases and liquids
- Clear, easy-to-read scale

FLOW METER L

FEATURES

Plastic flow tube with stainless steel connections

Flow adjustment valve

TYPICAL APPLICATIONS

Gas purging

Water purging

Liquid and gas flow measurements

OPTIONS

Constant flow regulator

Hand knob

Viton® or EPDM seals

Model	LH	LR
Max. pressure	20 bar (30 bar/+30°C)	20 bar (30 bar/+35°C)
Max. temperature	75°C	80°C
Body	Acrylic (PMMA)	Grilamid (PA-12)
Valve	AISI 316	AISI 316
Connectors	AISI 316	AISI 316
Seals	Nitrile (*Viton®, EPDM)	Nitrile (*Viton®, EPDM)
Connections	NPT 1/4" (*G 1/4")	NPT 1/4" (*G 1/4")
Accuracy	±5% F.S. (H ₂ O, +20°C)	±5% F.S. (H ₂ O, +20°C)
Weight	300 g	300 g

*) Special construction on request

Flow Tube Material

Acrylic	H
Grilamid	R

Flow Range

H ₂ O	Air NL/min	
2 – 18 mL/min	0.1 – 0.9	4K
2.5 – 30 mL/min	0.1 – 1.2	4A
5 – 55 mL/min	0.2 – 1.8	4B
15 – 80 mL/min	0.5 – 2.5	4C
0.01 – 0.13 L/min	0.5 – 6	5K
0.01 – 0.2 L/min	0.5 – 7	5A
0.025 – 0.325 L/min	1 – 10	5B
0.05 – 0.5 L/min	2 – 14	5C
0.1 – 0.75 L/min	3 – 20	8T
0.1 – 1 L/min	5 – 30	8M
0.2 – 1.6 L/min	10 – 50	8P
0.2 – 2.6 L/min	10 – 85	8S
0.5 – 3.5 L/min	15 – 110	8R

Scale

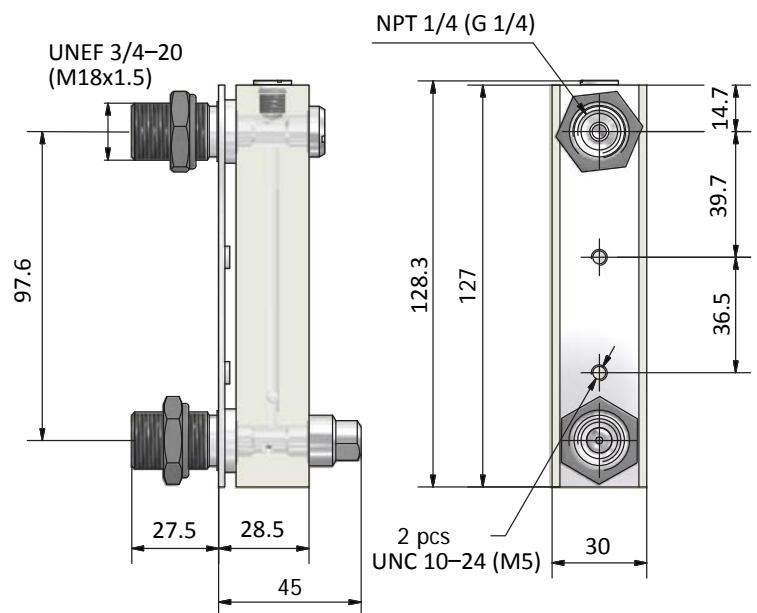
H ₂ O (L/min) +20°C	A
Air (NL/min) +20°C/1.013 bar (abs)	R
Relative 1–10	D

Features

Valve with hand knob	H
Connections NPT 1/4"	leave empty
Connections G 1/4"	R
Nitrile seals	leave empty
Viton® seals	V

Standard feature: *leave empty*
 Special feature: choose a Character

Example: LH-5CA-R - 0.05–0.5 L/min water
 - Screw driver adjustable valve
 - G1/4" threads



Model L with constant flow regulator Model 2851

