

The KYTOLA® Variable Area Flow Meter Model L is a sturdy industrial flow meter.

Model L is a reliable instrument for measuring and monitoring liquid and gas flows.



- For liquid or gas
- Several flow ranges
- Scales for alternative gases and liquids
- Clear, easy-to-read scale

ISO 9001 ISO 14001

## FLOW METER L

### FEATURES

- Plastic flow tube with stainless steel connections
- Flow adjustment valve
- CRN approved select models
- Freeze resistant body (Model LR)

### TYPICAL APPLICATIONS

- Gas and water purging
- Liquid and gas flow measurements
- Sealing liquid monitoring

### OPTIONS

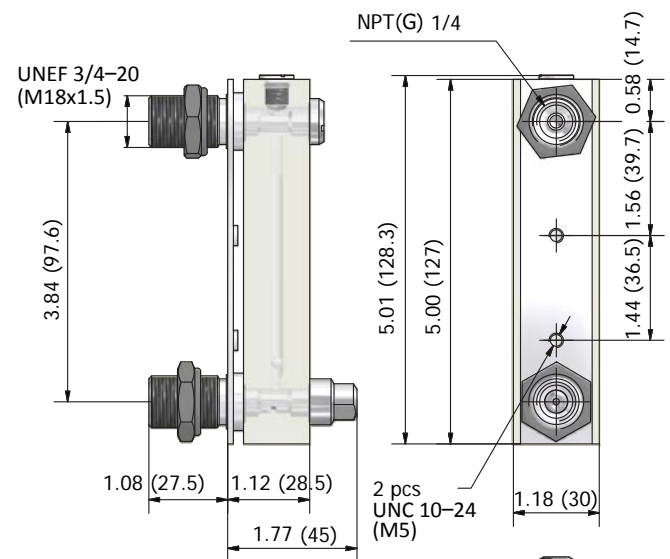
- Constant flow regulator
- Hand knob
- Viton® or EPDM seals
- Custom calibration/special construction

Model	LH	LR
Max. pressure	290 psi (20 bar), 435 psi/86°F (30 bar/30°C)	290 psi (20 bar), 435 psi/95°F (30 bar/35°C)
Max. temperature	167°F (75°C)	176°F (80°C)
Body	Acrylic (PMMA)	Grilamid (PA-12)
Valve	AISI 316	AISI 316
Connectors	AISI 316	AISI 316
Seals	Nitrile (*Viton®, EPDM)	Nitrile (*Viton®, EPDM)
Connections	NPT 1/4" (*G 1/4")	NPT 1/4" (*G 1/4")
Accuracy	±5% F.S. H <sub>2</sub> O, 70°F (20°C)	±5% F.S. H <sub>2</sub> O, 70°F (20°C)
Weight	11 oz (300 g)	11 oz (300 g)

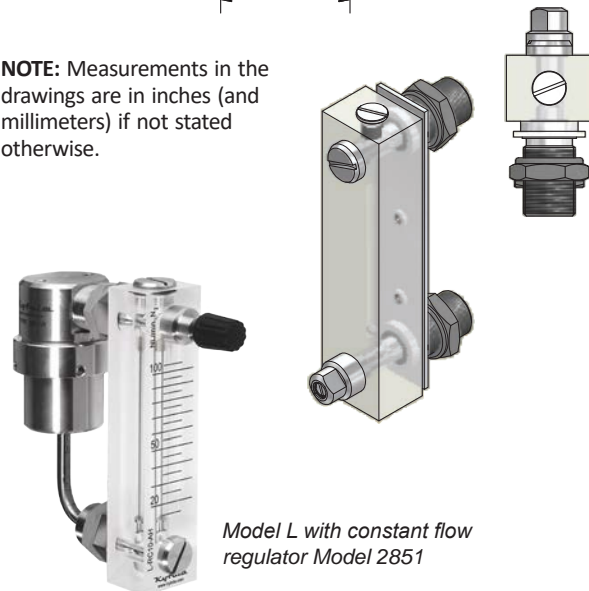
\*) Special construction on request

Flow Tube Material				
Acrylic				H
Grilamid				R
Flow Range				
H <sub>2</sub> O USGPH	H <sub>2</sub> O L/min	Air SCFH	Air NL/min	
0.05 – 0.30	2 – 18 mL/min	0.2 – 2	0.1 – 0.9	4K
0.05 – 0.45	2.5 – 30 mL/min	0.4 – 2.8	0.1 – 1.2	4A
0.1 – 0.9	5 – 55 mL/min	0.75 – 4	0.2 – 1.8	4B
0.2 – 1.3	15 – 80 mL/min	1.5 – 6	0.5 – 2.5	4C
0.2 – 2.0	0.01 – 0.13	1 – 14	0.5 – 6	5K
0.2 – 3.6	0.01 – 0.2	1 – 16	0.5 – 7	5A
0.5 – 5.5	0.025 – 0.325	2 – 24	1 – 10	5B
1 – 8.5	0.05 – 0.5	4 – 32	2 – 14	5C
2 – 12	0.1 – 0.75	7.5 – 45	3 – 20	8T
2 – 17	0.1 – 1	10 – 70	5 – 30	8M
4 – 26	0.2 – 1.6	20 – 120	10 – 50	8P
2.5 – 40	0.2 – 2.6	20 – 190	10 – 85	8S
7.5 – 55	0.5 – 3.5	40 – 260	15 – 110	8R
Scale				
H <sub>2</sub> O L/min (20°C) (*mL/min for 4K...4C)				A
H <sub>2</sub> O USGPH (70°F)				R
Air NL/min (20°C/1.013 bar (abs))				N
Air SCFH (70°F, 14.7 psia)				V
Dual scale USGPH H <sub>2</sub> O and SCFH air				L
Dual scale L/min H <sub>2</sub> O and NL/min air				M
Relative scale 1–10				D
Features				
Valve with hand knob				H
Connections NPT 1/4"				leave empty
Connections G 1/4"				R
Nitrile seals				leave empty
Viton® seals				V
EPDM seals				Y
Standard feature: leave empty				
Special feature: choose a Character				

**Example: LH-5CA** - 0.05–0.5 L/min water  
 - Screw driver adjustable valve  
 - NPT1/4"



**NOTE:** Measurements in the drawings are in inches (and millimeters) if not stated otherwise.



Model L with constant flow regulator Model 2851