

The KYTOLA® model VLFH is a sturdy industrial variable area flow meter. It is a reliable instrument for measuring and monitoring liquid and gas flows.



- Flange connections DN or ANSI
- Flow rate water up to 8.0 USGPM (30 L/min)
- Flow rate air up to 35 SCFM (900 NL/min)
- Alarm-ready

ISO 9001 ISO 14001

FLOW METER VLFH

FEATURES

Sturdy construction with protected flow tube

Stainless steel side plates

TYPICAL APPLICATIONS

Lubrication oil measurement

Sealing and cooling water measurement

Flush water applications

Liquid and gas flow measurements

OPTIONS

Scales for alternative liquids and gases

PES flow tube

Viton or EPDM seals

Low and high flow alarm

Model	VLF1H	VLF2H
Connections	DN15 PN25, ANSI ½" 150 lbs flanges	DN25 PN25, ANSI 1" 150 lbs flanges
Weight	8.2 lbs (3.7 kg)	10.4 lbs (4.7 kg)
Max temperature	176°F (80°C), *248°F (120°C)	176°F (80°C), *248°F (120°C)
Body	AISI 316	AISI 316
Float	AISI 329 or AISI 329/PTFE depending on range Note! Other possible wetted metal parts: AISI 316	
Flow tube	Grilamid (PA-12) or *PES	
Seals	Nitrile (*Viton®, *EPDM)	
Accuracy	± 5% F.S. (H ₂ O 70°F/20°C)	

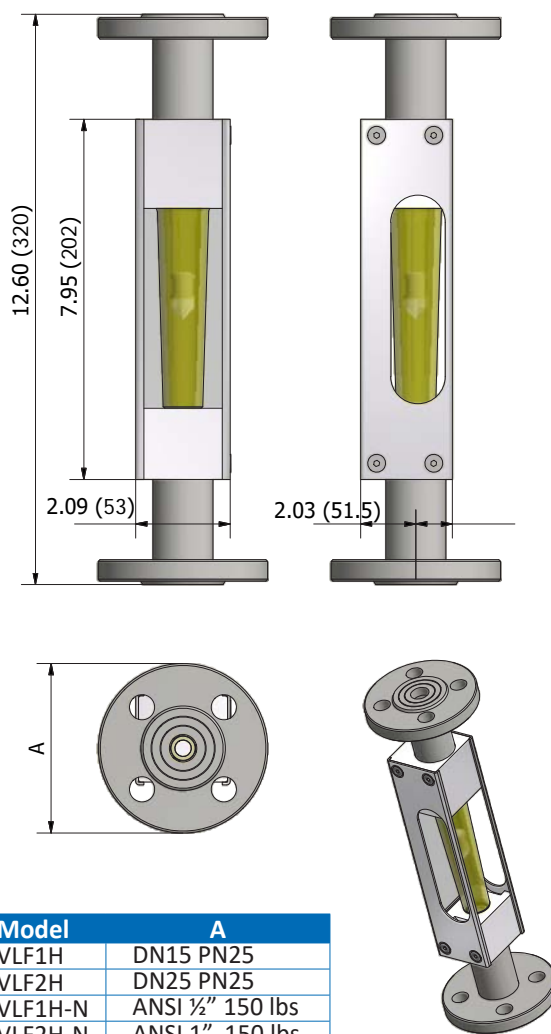
*) Special construction on request

Connections		Flow Range H ₂ O		Flow Range Air		Character
DN15 or ANSI ½" flanges	1H	USGPM	L/min	SCFM	NL/min	
DN25 or ANSI 1" flanges	2H	0.1 – 0.55	0.4 – 2	0.5 – 3	15 – 75	6H
		0.2 – 0.9	0.75 – 3.25	1 – 5	30 – 130	3H
		0.4 – 1.4	1.5 – 5.5	1.5 – 7	40 – 180	3K
		0.6 – 2.4	2 – 9	3 – 11	80 – 300	3L
		0.6 – 2.6	3 – 10	3 – 12	75 – 325	3M
		0.75 – 4.25	2 – 16	3 – 17	75 – 450	4N
		1 – 4.5	3 – 17	4 – 20	100 – 500	4D
		1 – 6.0	4 – 22	4 – 26	100 – 700	4E
		1 – 8.0	5 – 30	5 – 35	150 – 900	4F

Scale	Character
H ₂ O L/min at +20°C	A
H ₂ O USGPM (70°F)	G
Air (NL/min) at +20°C/1.013 bar (abs)	R
Air SCFM (70°F, 14.7 psia)	T
Relative 1–10	D

Features	Character
Alarm readiness	D
DN connections	blank
ANSI connections	N
Grilamid flow tube, nitrile seals	blank
PES flow tube, nitrile seals	V
PES flow tube, Viton® seals	W
Grilamid flow tube, Viton® seals	X
EPDM seals	Y

Standard feature: leave *blank*
Special feature: choose Character



NOTE: Measurements in the drawings in this datasheet are in inches (and millimeters) if not stated otherwise.