

The KYTOLA® Variable Area Flow Meter Model ExK is the multi-tube version of Kytola Model E. It is a reliable and easy-to-read instrument for measuring and monitoring liquid and gas flows.

Model ExK is perfect for multi-point cooling or purging applications where a common inlet with several outlets removes the need for multiple flow meters.



FLOW METER ExK, ExH

Model ExK comes with many options, and it is also available in customized designs.

- For liquid or gas
- 2 – 12 flow tubes
- Several flow ranges
- Clear, easy-to-read scale

FEATURES

Acrylic body
Flow adjustment valves

TYPICAL APPLICATIONS

Water and air purging
Gas and liquid measurements
CO₂ control in greenhouses

OPTIONS

Special scale markings
Thread adapters
Hand knobs in valves
Viton® or EPDM seals

Model	ExK	ExH
Valve housing / plugs	Nylon	AISI 316
Valve spindle	AISI 316	AISI 316
Body	Acrylic (PMMA)	
Seals	Nitrile (*Viton®, EPDM)	
Max. pressure	290 psi (20 bar), 435 psi at 86°F (30 bar / 30°C)	
Max. temperature	167°F (75°C)	
Connections	G 1/4", G 1/2", thread adapters must be used for NPT connections	
Accuracy	± 5% F.S. (H ₂ O, 70°F/20°C)	
Weight	6 oz (170 g) per flow tube	7 oz (200 g) per flow tube

*Special construction on request

Tubes

Number of tubes (2-12) **x**

Valve Housing / Plug Material

Nylon **K**
AISI 316 **H**

Flow Range H ₂ O		Flow Range Air		
USGPH	L/min	SCFH	NL/min	
0.02 – 0.26	2 – 16 mL/min	0.2 – 2.0	0.1 – 0.8	2K*
0.05 – 0.50	2.5 – 30 mL/min	0.2 – 2.8	0.1 – 1.2	2L*
0.1 – 0.85	5 – 55 mL/min	0.5 – 4.0	0.2 – 1.8	2M*
0.2 – 1.4	10 – 80 mL/min	1 – 6.0	0.4 – 2.6	2N*
0.1 – 1.8	0.01 – 0.11	1 – 13	0.5 – 5.5	3K*
0.2 – 3.0	0.02 – 0.18	2 – 16	0.5 – 7	3L*
0.5 – 5.0	0.025 – 0.3	2 – 20	1 – 9	3M*
0.5 – 7.0	0.05 – 0.45	2.5 – 27.5	1 – 12	3N*
1 – 8.0	0.05 – 0.5	5 – 45	2 – 20	4B*
1 – 18	0.1 – 1.1	5 – 85	2 – 36	4A*
5 – 25	0.2 – 1.6	20 – 100	7.5 – 47.5	5E*
2.5 – 35	0.2 – 2.2	20 – 160	5 – 70	5S*
5 – 40	0.5 – 2.5	40 – 200	10 – 90	5F*

Scale

H₂O (L/min) at +20°C (mL/min for 2K...2N) **A**
 H₂O scale USGPH (70°F) **N**
 Air scale NL/min (20°C, 1.013 bar abs) **R**
 Air scale SCFH (70°F, 14.7 psia) **V**
 Dual scale USGPH H₂O and SCFH air **L**
 Relative scale 1-10 **D**

Features

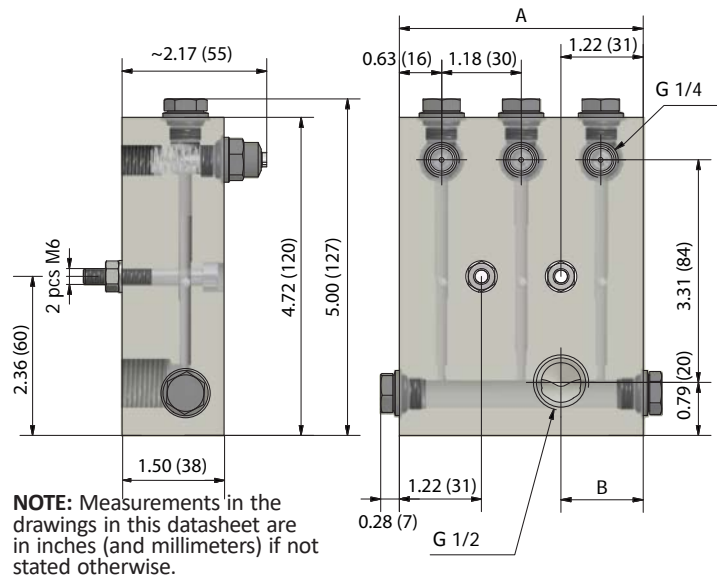
Hand knob **H**
 Nitrile seals *blank*
 Viton® seals **V**
 EPDM seals **Y**
 Standard feature: leave *blank*
 Special feature: choose a Character

* Air flow ranges (20°C/1.013 bar abs) for calibration purposes only

NOTE: Thread adapters must be used for NPT connections.

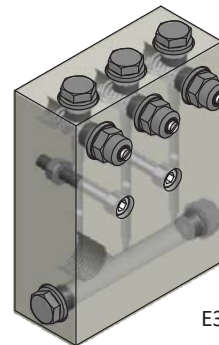
NPT Adapters

ZADR1/4NK Nylon thread adapter 1/4" G to 1/4" NPT (outlet)
 ZADR1/4N3/8K Nylon thread adapter 1/4" G to 3/8" NPT (outlet)
 ZADR1/2N3/8K Nylon thread adapter 1/2" G to 3/8" NPT (inlet)
 ZADR1/2NK Nylon thread adapter 1/2" G to 1/2" NPT (inlet)
 ZADR1/2N3/4K Nylon thread adapter 1/2" G to 3/4" NPT (inlet)



NOTE: Measurements in the drawings in this datasheet are in inches (and millimeters) if not stated otherwise.

	E2K	E3K	E4K	E5K	E6K	E7K	E8K	E9K	E10K	E11K	E12K
A	2.44 (62)	3.62 (92)	4.80 (122)	5.98 (152)	7.16 (182)	8.35 (212)	9.53 (242)	10.71 (272)	11.89 (302)	13.07 (332)	14.25 (362)
B	1.22 (31)	1.22 (31)	2.40 (61)	2.40 (61)	3.58 (91)	3.58 (91)	4.76 (121)	4.76 (121)	5.94 (151)	5.94 (151)	7.13 (181)



E3K front view

