

KYTOLA® Model VEx Multi-tube Variable Area Flow Meter is designed for reliable measuring and monitoring of liquid and gas flows.

It comes in a range of different options and offers a choice of end blocks – aluminium, stainless steel AISI 316 or polyamide.



VE6A

VE3K

- Sturdy construction
- Multi-tube version, 1 – 7 flow tubes
- Easy to install, clean, and maintain
- Alarm-ready

FLOW METER VEx

FEATURES

- Large selection of materials
- Built-in flow adjustment valve and quick change flow tube

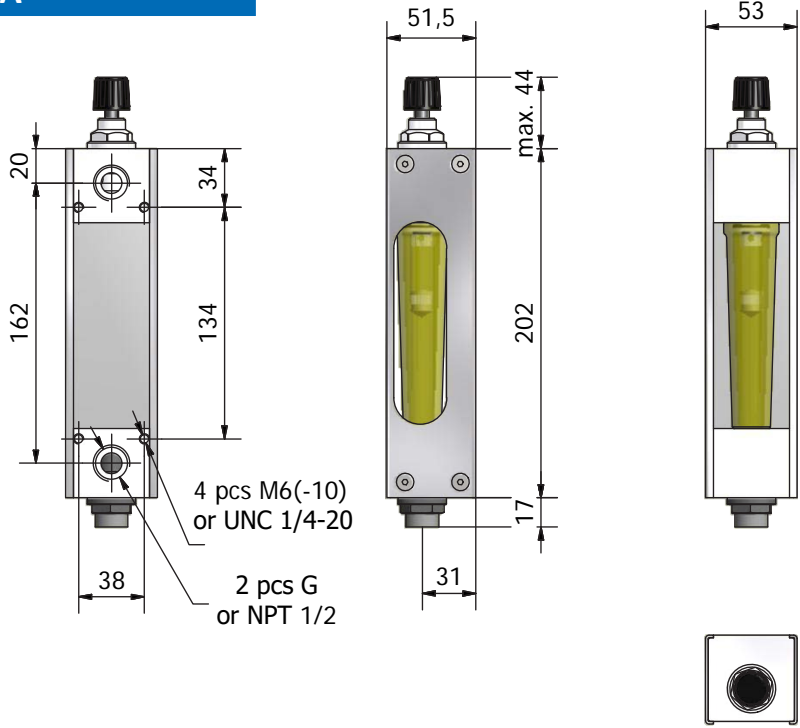
TYPICAL APPLICATIONS

- Lubrication oil measurement
- Sealing and cooling water measurement
- Flush water applications
- Gas flow measurements

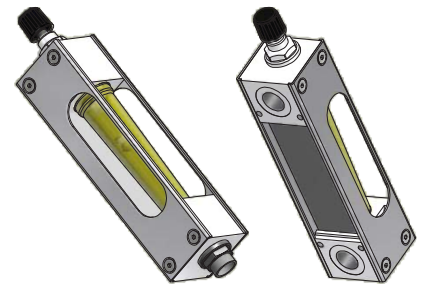
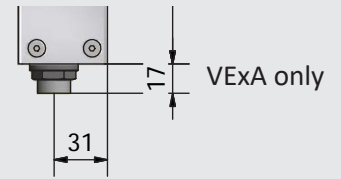
OPTIONS

- Low flow alarm
- Viton or EPDM seals
- PES flow tube

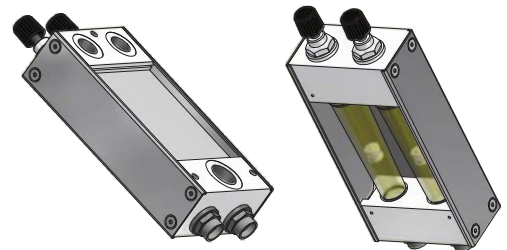
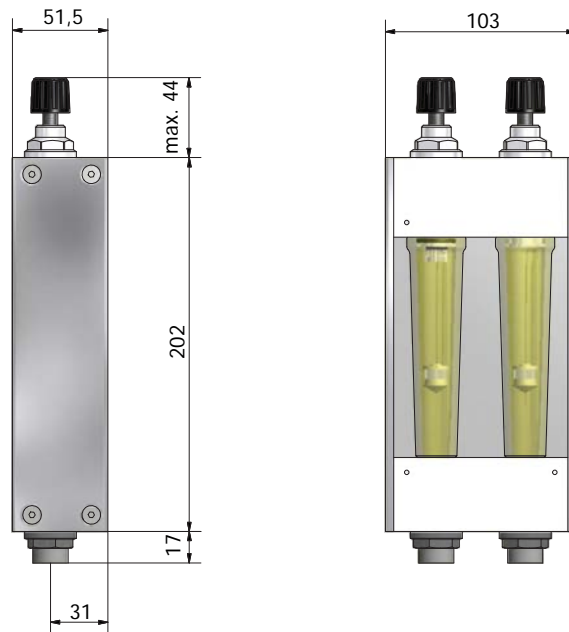
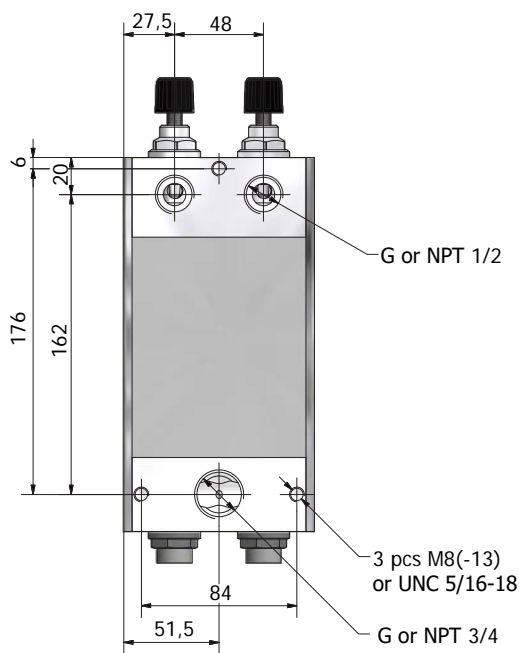
VEA



NOTE: These measurements of model VExA also apply to models VExH and VExK, except that those are **without** alarm sensor sockets (17 mm) in the lower end block.



VE2A



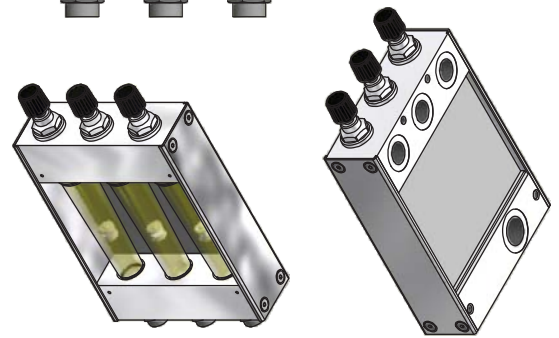
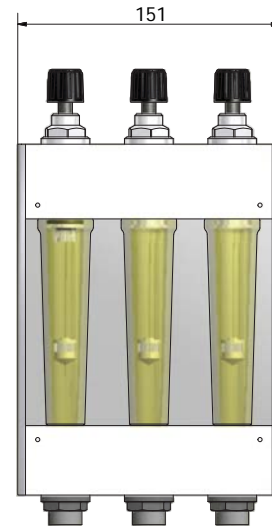
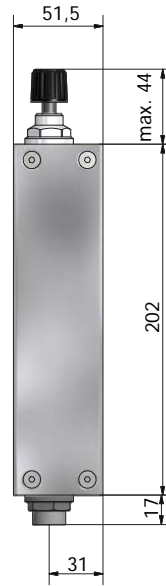
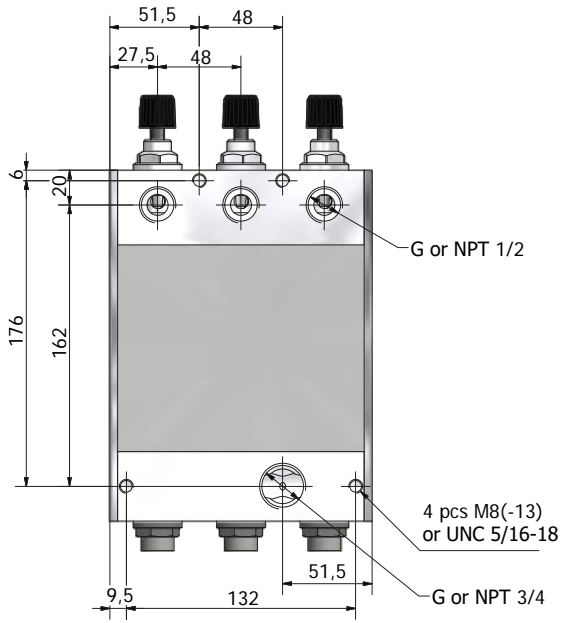
Kytola
INSTRUMENTS

www.kytola.com

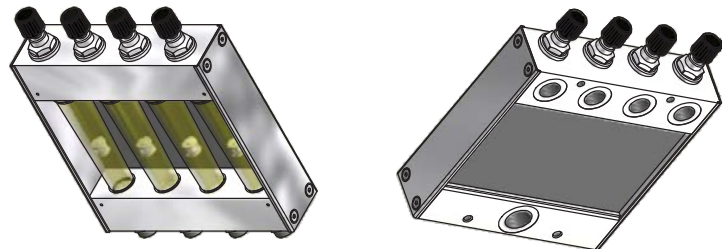
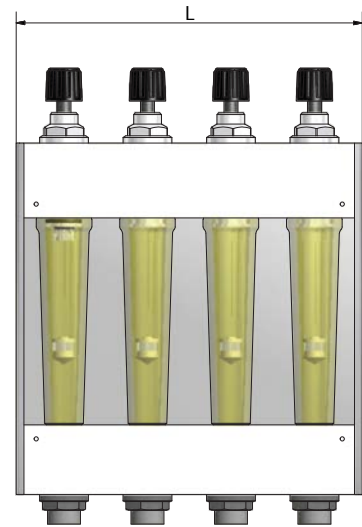
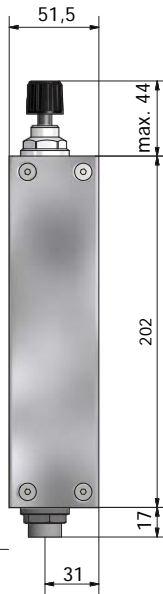
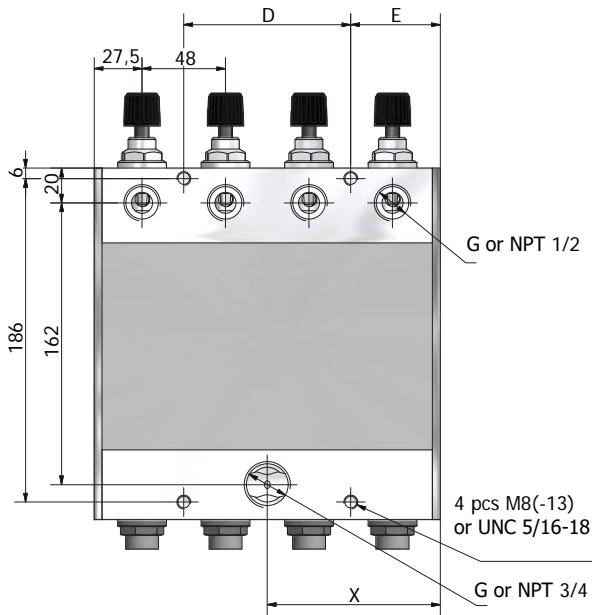


Kytola Instruments Oy
Olli Kytölään tie 1
FI-40950 Muurame, Finland
Tel. +358 20 779 0690
Fax +358 14 631 419
E-mail info@kytola.com

VE3A



VE4A (...VE7A)



	VE4A	VE5A	VE6A	VE7A
L	199	247	295	343
X	99.5	99.5	147.5	147.5
D	96	144	192	240
E	51.5	51.5	51.5	51.5

Kytola
INSTRUMENTS

www.kytola.com



Kytola Instruments Oy
Olli Kytölään tie 1
FI-40950 Murame, Finland
Tel. +358 20 779 0690
Fax +358 14 631 419
E-mail info@kytola.com

Model	VExA	VExH	VExK
End blocks	Aluminium	AISI 316	Nylon
Side plates	AISI 316	AISI 316	AISI 316
Max. pressure	30 bar	30 bar	20 bar
Max. temperature	80°C (*120°C)	80°C (*120°C)	80°C
Weight	0.75 kg per flow tube	2.00 kg per flow tube	0.95 kg per flow tube
Valve housing	Aluminium	AISI 316	AISI 316
Valve spindle	AISI 316	AISI 316	AISI 316
Flow tube	Grilamid (PA-12) (*PES)		
Connections	G 1/2" or NPT 1/2"		
Float	AISI 329 or AISI 329/PTFE (depending on range)		
Seals	Nitrile (*Viton®, EPDM)		
Accuracy	±5% F.S. (H ₂ O, +20°C)		

*Special construction on request

VE ■ ■ - ■ ■ - ■ ■**Flow Tubes**

Single tube *blank*
 Number of flow tubes **x**
 VExA: max 7; VExH, VExK: max 3

End Block Material

Aluminium (not for H₂O) **A**
 AISI 316 **H**
 Nylon **K**

Flow RangeH₂O L/min

Air NL/min

0.4 – 2	15 – 70	6H*
0.75 – 3	30 – 130	3H*
1.25 – 5	40 – 180	3K*
2 – 9	60 – 260	3L*
2.5 – 10	75 – 300	3M*
2 – 15	75 – 400	4N*
4 – 17	100 – 450	4D*
4 – 22	100 – 650	4E*
5 – 30	150 – 700	4F*

Scale

H₂O (L/min) at +20°C **A**
 Air (NL/min) at +20°C/1.013 bar (abs) **R**

Features

Alarm readiness ** **D**
 G connections *blank*
 NPT connections **N**
 Grilamid flow tube, nitrile seals *blank*
 PES flow tube, nitrile seals **V**
 PES flow tube, Viton® seals **W**
 Grilamid flow tube, Viton® seals **X**

Standard feature: leave *blank*
 Special feature: choose **Character**

* Air flow ranges (20°C/1.013 bar abs) for calibration purposes only

** Only models VEA...VE7A, VEH, VE2H, VEK, VE2K

Kytola
INSTRUMENTS

www.kytola.com



Kytola Instruments Oy

Olli Kytölään tie 1

FI-40950 Muurame, Finland

Tel. +358 20 779 0690

Fax +358 14 631 419

E-mail info@kytola.com