

KYTOLA® Model VExA Variable Area Flow Meter is a sturdy industrial flow meter with heavy-duty impact resistant polymer flow tubes.

This meter is a reliable instrument for measuring and monitoring lubrication oil flows.



- Sturdy construction
- Multi-tube version, 1 – 7 flow tubes
- Easy to install, clean, and maintain
- Easy to read also with black oils
- Alarm-ready

OIL FLOW METER VExA

FEATURES

Flow adjustment valve

Quick-change tube

Large selection of flow ranges

Relative scale 20 –100 % or direct reading scale in required flow unit

TYPICAL APPLICATIONS

Oil circulation lubrication monitoring in pulp & paper and steel mills

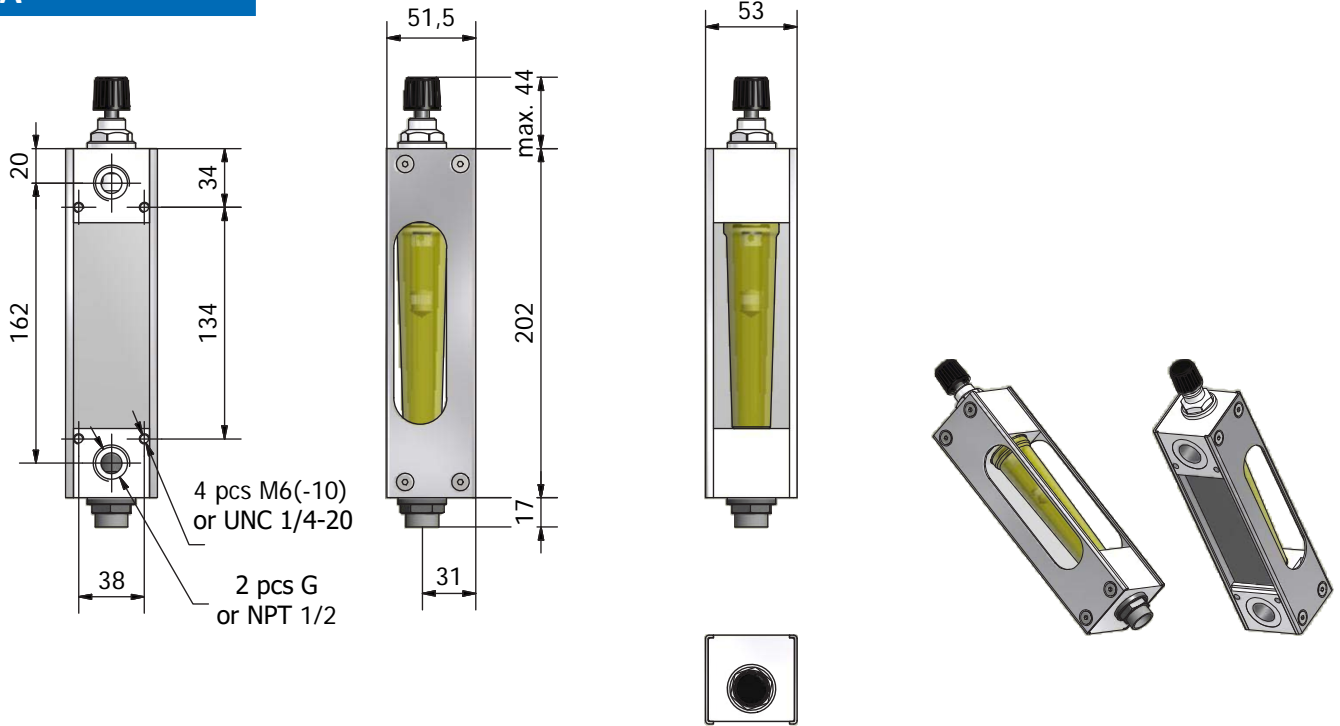
OPTIONS

Inductive low flow alarm

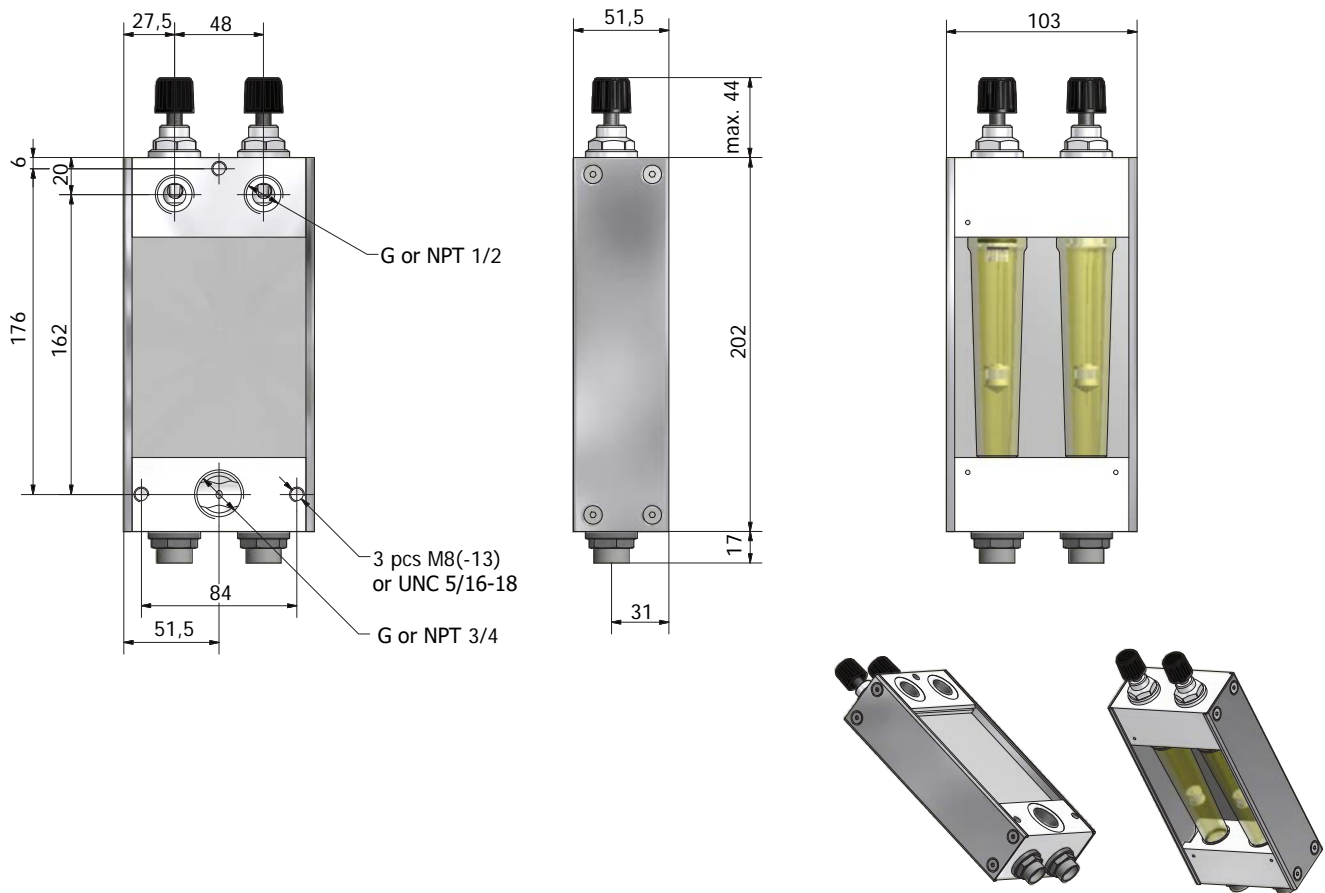
Mounting accessories

Plexiglass front cover

VEA



VE2A



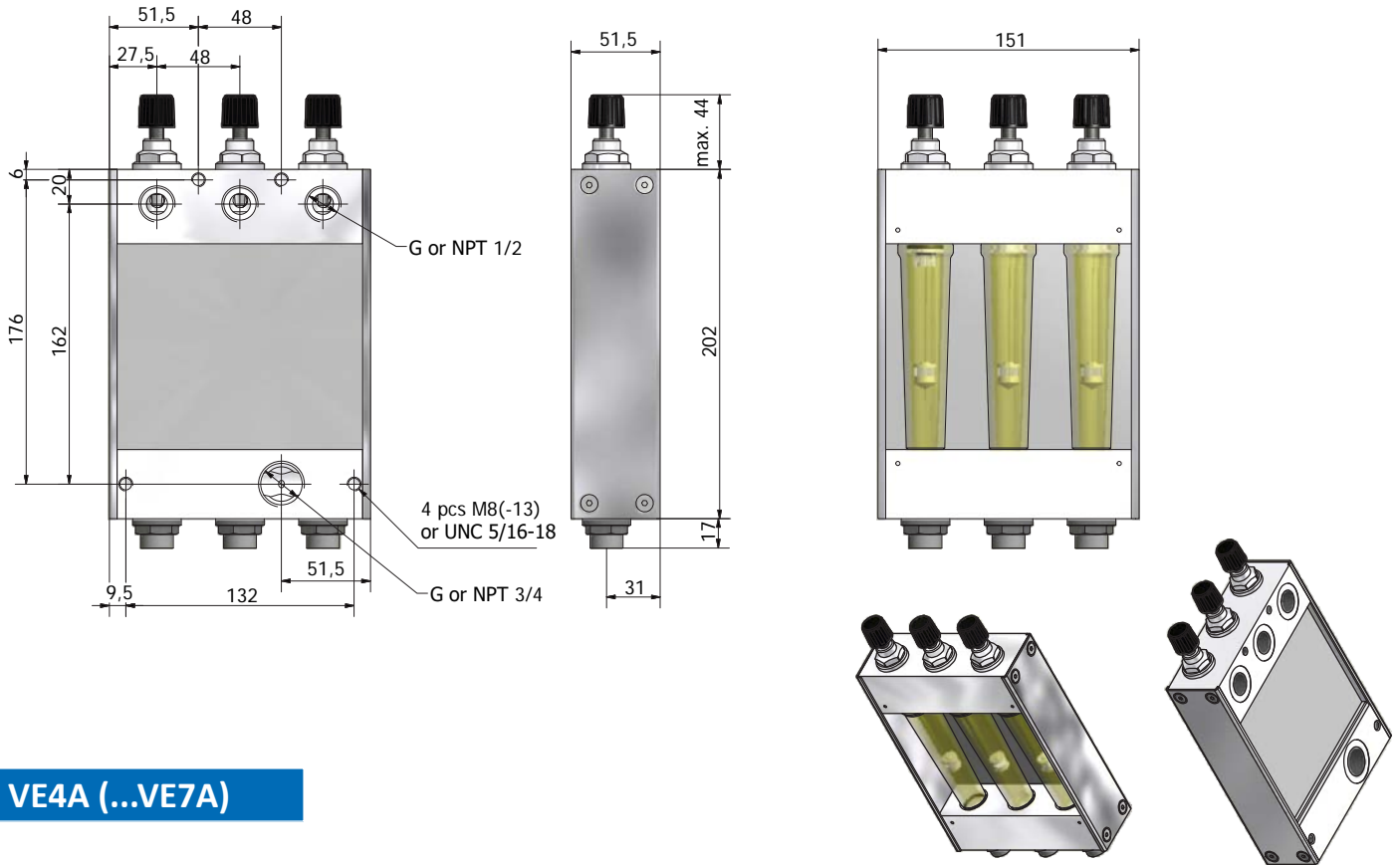
Kytola
INSTRUMENTS

www.kytola.com

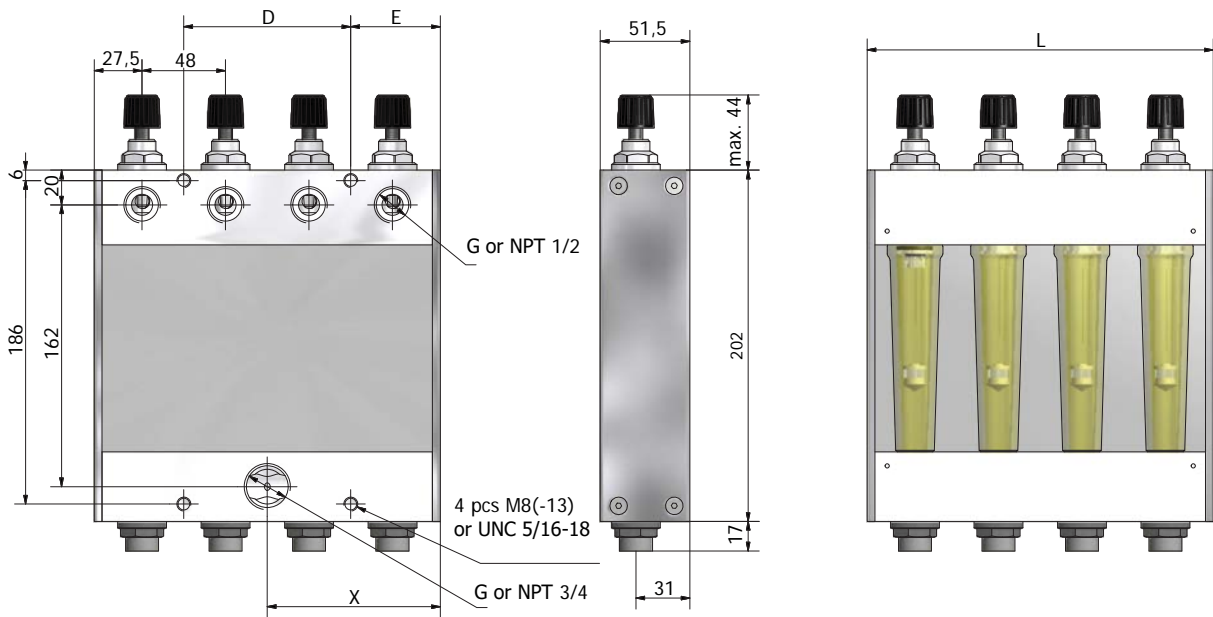


Kytola Instruments Oy
Olli Kytölään tie 1
FI-40950 Murame, Finland
Tel. +358 20 779 0690
Fax +358 14 631 419
E-mail info@kytola.com

VE3A



VE4A (...VE7A)



	VE4	VE5	VE6	VE7
L	199	247	295	343
X	99.5	99.5	147.5	147.5
D	96	144	192	240
E	51.5	51.5	51.5	51.5

Kytola
INSTRUMENTS

www.kytola.com



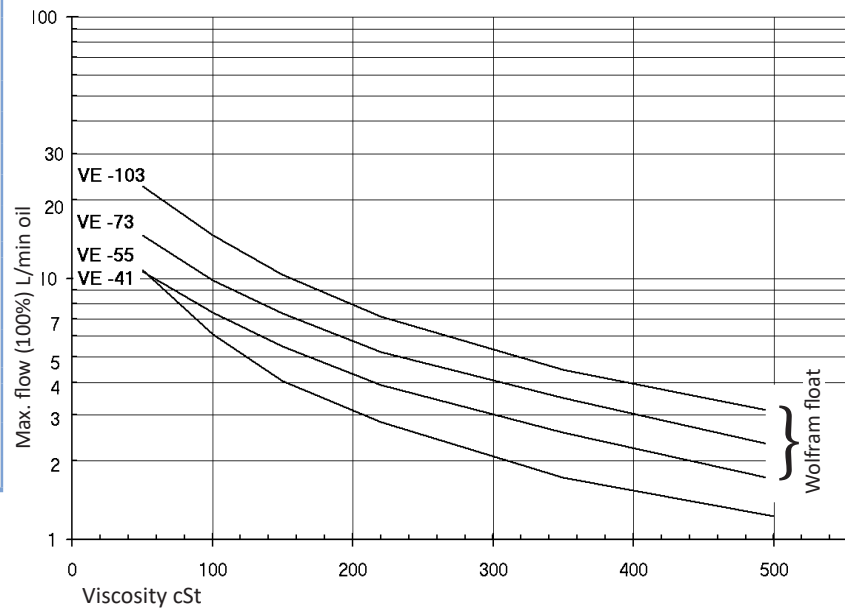
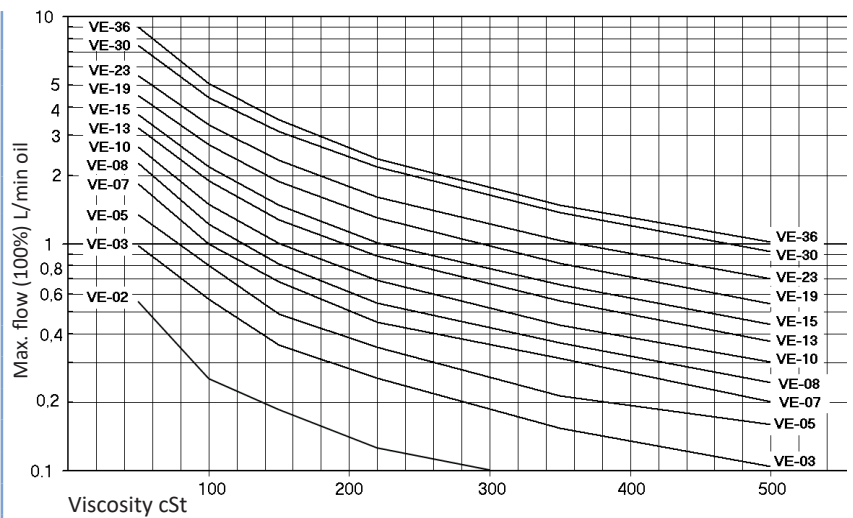
Kytola Instruments Oy
Olli Kytölään tie 1
FI-40950 Murame, Finland
Tel. +358 20 779 0690
Fax +358 14 631 419
E-mail info@kytola.com

Model	VExA
Flow range	Oil at 150 cSt: smallest range 0.02 – 0.2 L/min.; max. range 2 – 10 L/min Oil at 220 cSt: smallest range 0.02 – 0.14 L/min.; max. range 1 – 7 L/min
Number of tubes	1–7
Max. pressure	30 bar
Max. temperature	80°C
End blocks	Aluminium
Flow tube	Grilamid (PA-12)
Valve	Aluminium / AISI 316
Seals	Viton®
Connections	Single tube models: G 1/2" or NPT 1/2" Multi-tube models: Inlet G 3/4" or NPT 3/4", outlets G 1/2" or NPT 1/2"

VE [] [] - [] [] []

Tubes	
Single tube	<i>blank</i>
Number of tubes (2–7)	x
End Block Material	
Aluminium (standard)	A
Scale Maximum Oil Flow, 150 cSt oil, L/min (approx.)	
0.2	02
0.3	03
0.5	05
0.7	07
0.8	08
1.0	10
1.3	13
1.5	15
1.9	19
2.3	23
3.0	30
3.6	36
4.1	41
5.5	55
7.3	73
10.3	103
Scale	
20...100%	<i>blank</i>
Factory assigned number	XXXX
Options	
Alarm readiness (standard)	D
NPT connections	N

Maximum flow against oil viscosity



Copyright © Kytola Instruments Oy 2019. Dimensions and measurements are given within normal tolerances. Manufacturer reserves the right to changes without prior notification. VExA_es12_en Published 5/2019.