

The Kytola® Model 3630 Constant Flow Regulator is a sturdy, industrial constant flow regulator.

It is designed to provide a constant flow of liquids in applications where supply or backpressure varies and to provide a constant flow of gases in applications where backpressure varies.



Model 3630 equipped with model L flow meter

- For liquid and gas
- High performance
- Reliable operation
- Easy maintenance
- Max. flow
1.5 L/min H₂O
60 NL/min air (6 barg)

CONSTANT FLOW REGULATOR 3630

Model 3630 is a membrane type differential pressure controller. It is supplied with Model L variable area flow meter for flow rate indication and setting.

FEATURES

Aluminium or stainless steel construction

Vertical installation

Competitively priced

TYPICAL APPLICATIONS

Water purging for instruments

Air purging in level measurements

Gas purging in Δp measurements

OPTIONS

Thread adapters

Flow alarm

Model 3630

Max. flow	1.5 L/min H ₂ O, 60 NL/min air at 6 bar(g)	Membrane plate	Nylon (PA 6) (*PVDF)
Max. diff. pressure	10 bar	Membrane	EPDM
Max. static pressure	20 bar	Mesh	PTFE
Min. pressure difference	2 bar	Seals	Nitrile (*Viton, EPDM)
Max. temperature	75°C (*80°C)	Installation position	Vertical
Body	Aluminium or stainless steel AISI 316	Connections	G 1/4" or NPT 1/4"
Spring	Stainless steel AISI 316	Weight	0.5 kg (aluminium body), 1.1 kg (AISI 316 body)

*) Special construction on request

3630 ■ - ■ - ■ - ■ - ■

Regulator Material

Aluminium (not for H ₂ O)	A
AISI 316	H

Connections

G 1/4"	standard, leave empty	
NPT 1/4"		N

Flow Range

H ₂ O L/min	Air NL/min	
15 – 80 mL/min	0.5 – 2.5*	4C
0.01 – 0.13	0.5 – 6*	5K
0.01 – 0.2	0.5 – 7*	5A
0.025 – 0.325	1 – 10*	5B
0.05 – 0.5	2 – 14*	5C
0.1 – 0.75	3 – 20*	8T
0.1 – 1	5 – 30*	8M
0.2 – 1.6	10 – 50*	8P
Factory assigned model number for special range		XX

Scale

H ₂ O (L/min) at +20°C	A
Relative scale 1–10	D
Factory assigned model number for special scale	XX

Flow Tube Material

Acrylic	A
Grilamid TR55	G

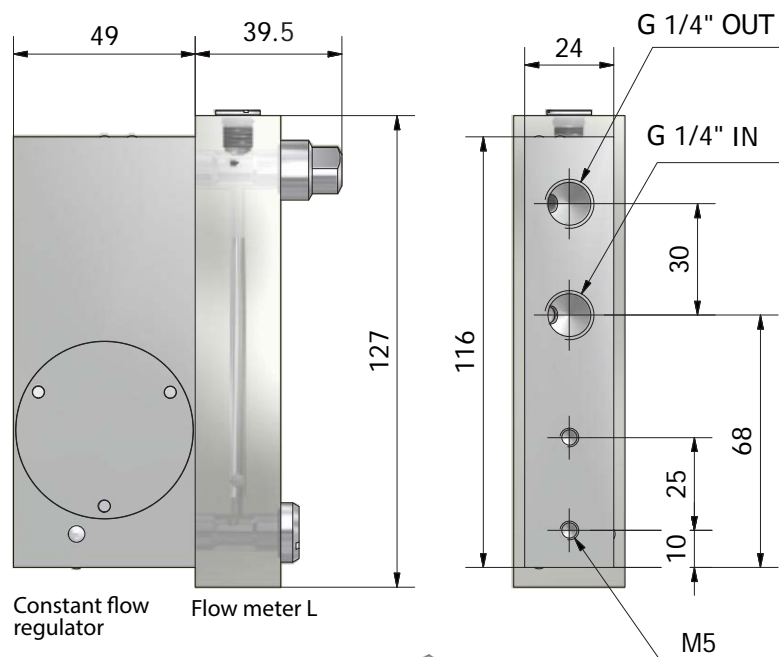
Special Features

Hand knob in valve	H
Viton® seals	V

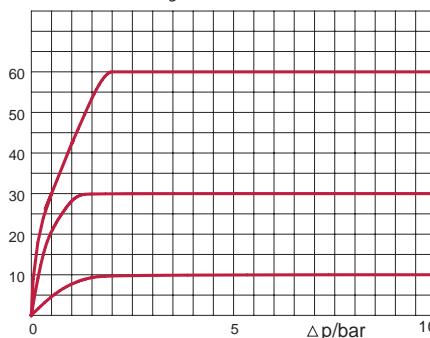
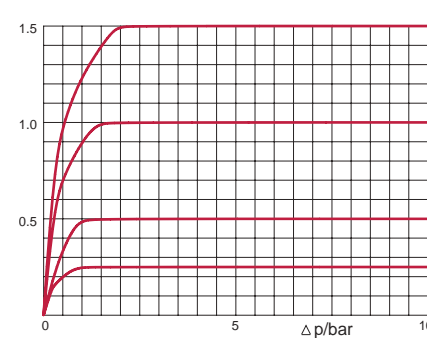
*Example air ranges at +20°C / 1.013 bar (abs) for calibration purpose only.

NOTE: When ordering special flow meters (range or scale or both), process conditions must be mentioned as shown in the special product code example below.**NOTE:** The gas scale always has to be calibrated according to the actual medium, inlet pressure, and temperature. Δp over the regulator must be ≥ 2 bar.**PRODUCT CODE EXAMPLES**

Standard product code	3630H-8TA-AHV
Special product code	3630A-N-XXXX-AH
Medium	CO ₂
Max flow rate	13 NL/min
Min flow rate	1 NL/min
Inlet pressure	5 bar(g)
Operating temperature	+20°C



NL/min Air at 6 barg

L/min H₂O

PERFORMANCE