

KYTOLA® Oval Gear Meter Model 6210P is designed for measuring and monitoring of corrosive and viscous liquids.

The model 6210P oval gear meter is a positive displacement flow meter, which always shows the correct flow rate regardless of liquid temperature and viscosity changes.



- For liquid
- Several flow ranges
- Max. 30 L/min
- Transparent cover
- Large viscosity range 30 – 1000 cSt
- ATEX version (II 2GD c TX) as option



ISO 9001 ISO 14001

OVAL GEAR METER 6210P

The flow meter consists of two elliptical gears, which the flow rotates. An inductive proximity sensor picks up the rotation, and the pulse signal can be transferred to indicators, counters or automation systems.

FEATURES

Independent of viscosity and temperature changes

Chemical resistant materials

Pulse output

TYPICAL APPLICATIONS

Chemical dosing

Industrial flow monitoring

Process control

OPTIONS

Thread adapters

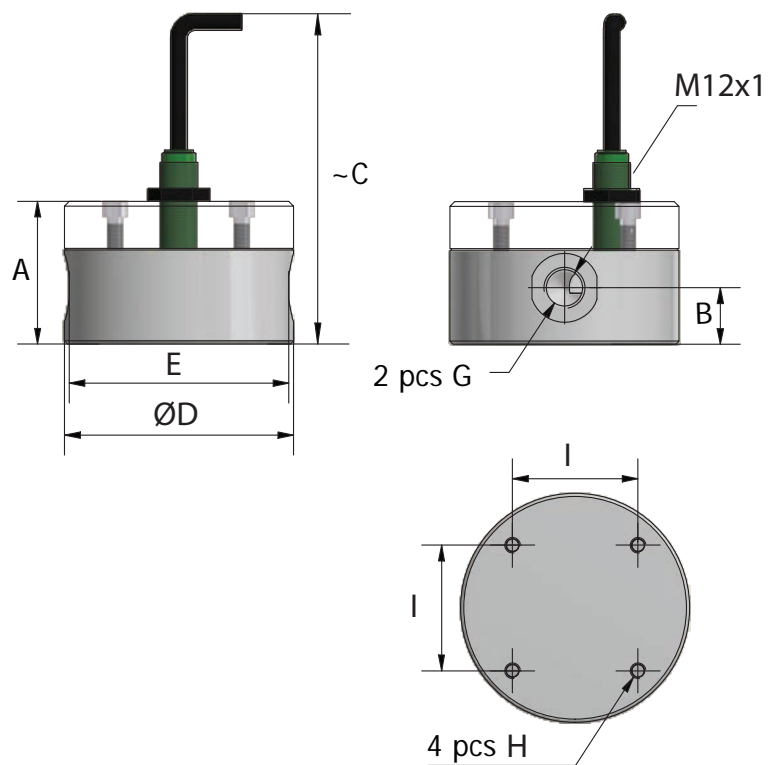
Alternative sensors

Model	6210P-1	6210P-3	6210P-6	6210P-15	6210P-30
Flow range L/min	0.1 – 1.5	0.2 – 3	0.5 – 6	1 – 15	2 – 30
Output pulses/liter	2100	1062	290	126.8	75.8
Connections	1/4"	1/4"	1/4"	3/4"	3/4"
Body	PP	PP	PP	PP	PP
Gears	PPS/Hastelloy C	PPS/Hastelloy C	PPS/Hastelloy C	PP/Hastelloy C	PP/Hastelloy C
Cover	PP/PMMA	PP/PMMA	PP/PMMA	PP/PMMA	PP/PMMA
Shafts	Ceramic	Ceramic	Ceramic	Hastelloy C	Hastelloy C
Seals	EPDM or Viton®	EPDM or Viton®	EPDM or Viton®	EPDM or Viton®	EPDM or Viton®
Sensor	NAMUR; EN 60947 (*Other types of inductive proximity sensor)				
Max. pressure	10 bar				
Max. temperature	+80°C				
Viscosity range	30–1000 cSt				
Weight	330 g	350 g	360 g	930 g	1.0 kg
Accuracy	±5% of reading				
* Special construction on request					

6210P- [] - [] - [] - [] - []

Flow Range L/min		
0.1 – 1.5	1	
0.2 – 3	3	
0.5 – 6	6	
1 – 15	15	
2 – 30	30	
Seals		
EPDM		Y
Viton		V
Connections		
G threads		G
NPT thread adapters		N
Sensor		
NAMUR; EN 60947		A
PNP/NPN (2-wire) 10–55 VDC		F
PNP (3-wire)		P
NPN (3-wire)		T
Without sensor		D
Special Feature		
No ATEX		blank
ATEX version – only with NAMUR sensor, please choose options A and Z		Z

Standard feature: leave blank



	A	B	C	D	E	G	H	I
6210P-1	45	18	85	73	70	G1/4	M5	40
6210P-3	45	18	85	73	70	G1/4	M5	40
6210P-6	49	22	85	73	70	G1/4	M5	40
6210P-15	67	27	125	108	102	G3/4	M8	60
6210P-30	87	27	125	108	102	G3/4	M8	60