

KYTOLA® check valve Model 2680 is a spring loaded device. It allows free flow of a medium in one direction but closes immediately when the flow ceases or changes direction.

Reverse flow is prevented, which protects measuring or regulating equipment from process media.



- Closes if flow stops or reverses
- Withstands corrosive media
- Maximum pressure 4,400 psi (300 bar)
- Easily removed

## CHECK VALVE 2680

### FEATURES

- Robust stainless steel construction
- Can be mounted in any position

### TYPICAL APPLICATIONS

- Liquid feed lines
- Gas feed lines
- Pressurised sealing water systems

### OPTIONS

- Special seals

## Model 2680

Body	AISI 316
Seals	Nitrile (*Viton®, *EPDM)
Max. pressure	4,400 psi (300 bar)
Max. differential pressure	73 psi (5 bar)
Opening pressure	2.2 – 3.6 psi (0.15 – 0.25 bar)

\*) Special construction on request

2680-

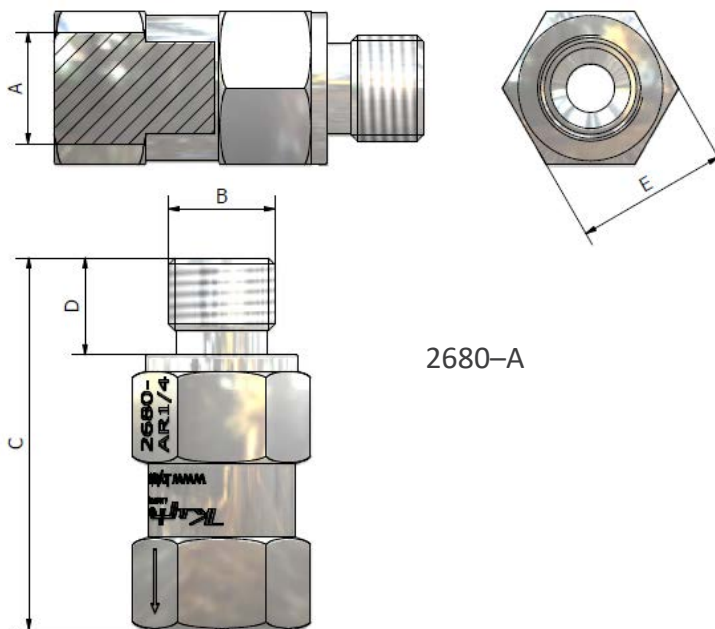
### Connections

Male inlet, female outlet	<b>A</b>
Female inlet, female outlet	<b>B</b>

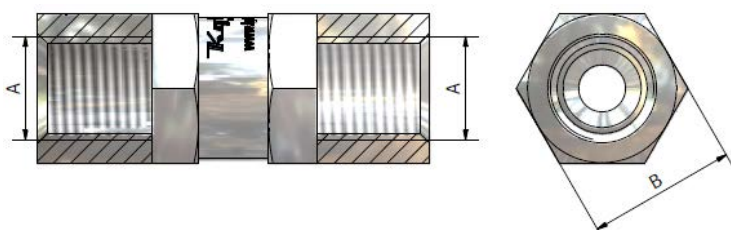
Inlet	Outlet	
G 1/4"	G 1/4"	R 1/4
G 3/8"	G 3/8"	R 3/8
G 1/2"	G 1/2"	R 1/2
G 3/4"	G 3/4"	R 3/4
G 1"	G 1"	R 1
G 1 1/4"	G 1 1/4"	R 1 1/4

### Special Feature

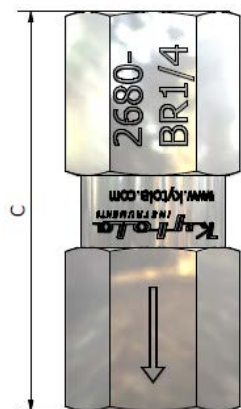
Viton® seals	<b>V</b>
EPDM seals	<b>E</b>



2680-A



2680-B



	A	B	C
G 1/4	0.75(19)	1.97(50)	
G 3/8	0.94(24)	2.17(55)	
G 1/2	1.06(27)	2.56(65)	
G 3/4	1.26(32)	2.76(70)	
G 1	1.61(41)	3.15(80)	
G 1 1/4	1.97(50)	3.74(95)	

	A	B	C	D	E
G 1/4	G 1/4	1.81(46)	0.47(12)	0.75(19)	
G 3/8	G 3/8	1.97(50)	0.47(12)	0.94(24)	
G 1/2	G 1/2	2.36(60)	0.55(14)	1.06(27)	
G 3/4	G 3/4	2.56(65)	0.63(16)	1.26(32)	
G 1	G 1	2.95(75)	0.71(18)	1.61(41)	
G 1 1/4	G 1 1/4	3.74(95)	0.79(20)	1.97(50)	

**NOTE:** Measurements in the drawings in this datasheet are in inches (and millimeters) if not stated otherwise.