

The KYTOLA® model VLFH is a sturdy industrial variable area flow meter. It is a reliable instrument for measuring and monitoring liquid and gas flows.



- Flange connections DN or ANSI
- Flow rate water up to 30 L/min
- Flow rate air up to 900 NL/min
- Alarm-ready

ISO 9001 ISO 14001

FLOW METER VLFH

FEATURES

Sturdy construction with protected flow tube

Stainless steel side plates

TYPICAL APPLICATIONS

Lubrication oil measurement

Sealing and cooling water measurement

Flush water applications

Liquid and gas flow measurements

OPTIONS

Scales for alternative liquids and gases

PES flow tube

Viton or EPDM seals

Low and high flow alarm

Model	VLF1H	VLF2H
Connections	DN15 PN25, ANSI ½" 150 lbs flanges	DN25 PN25, ANSI 1" 150 lbs flanges
Weight	3.7 kg	4.7 kg
Max temperature	80°C (*120°C)	80°C (*120°C)
Body	AISI 316	AISI 316
Float	AISI 329 or AISI 329/PTFE (depending on range) Note! Other possible wetted metal parts: AISI 316	
Flow tube	Grilamid (PA-12) or *PES	
Seals	Nitrile (*Viton®, *EPDM)	
Accuracy	±5% F.S. (H ₂ O, 20°C)	

*) Special construction on request

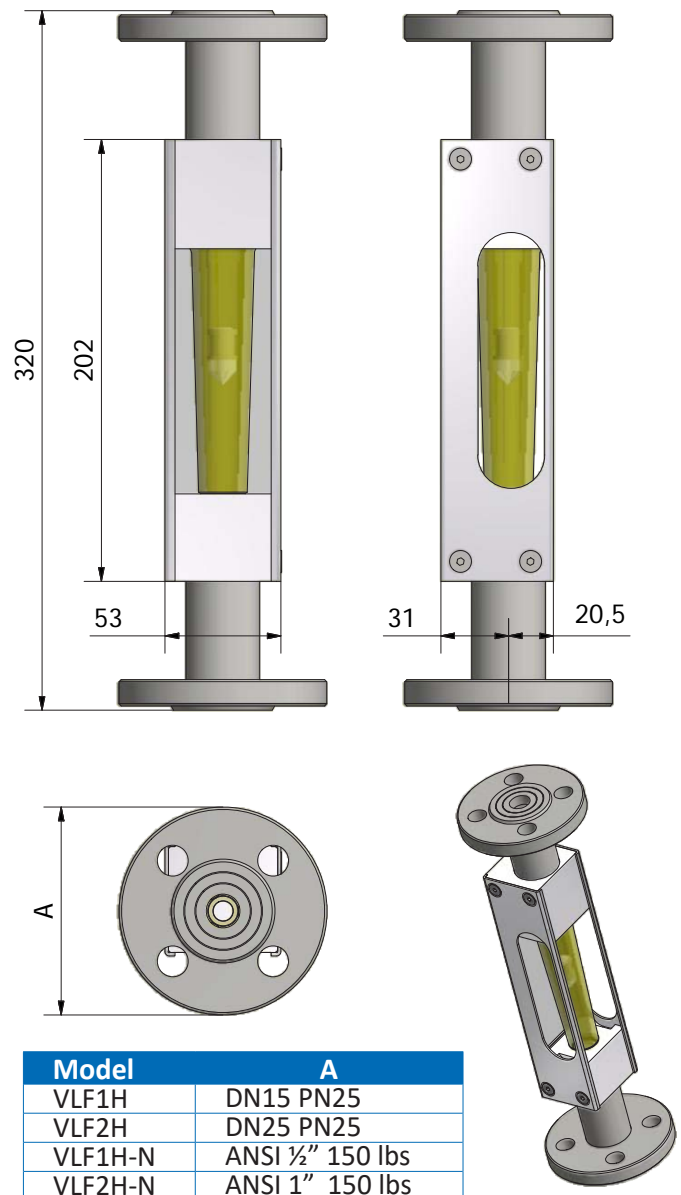
Connections		
DN15 or ANSI ½" flanges	1H	
DN25 or ANSI 1" flanges	2H	

Flow Range		
H ₂ O L/min	Air NL/min	
0.4 – 2	15 – 75	6H
0.75 – 3.25	30 – 130	3H
1.5 – 5.5	40 – 180	3K
2 – 9	80 – 300	3L
3 – 10	75 – 325	3M
2 – 16	75 – 450	4N
3 – 18	100 – 500	4D
4 – 22	100 – 700	4E
5 – 30	150 – 900	4F

Scale		
H ₂ O L/min at +20°C		A
Air (NL/min) at +20°C/1.013 bar (abs)		R

Special Feature		
Alarm readiness		D
DN connections	<i>blank</i>	
ANSI connections		N
Grilamid flow tube, nitrile seals	<i>blank</i>	
PES flow tube, nitrile seals		V
PES flow tube, Viton® seals		W
Grilamid flow tube, Viton® seals		X

Standard feature: leave *blank*
Special feature: choose Character



Model	A
VLF1H	DN15 PN25
VLF2H	DN25 PN25
VLF1H-N	ANSI ½" 150 lbs
VLF2H-N	ANSI 1" 150 lbs