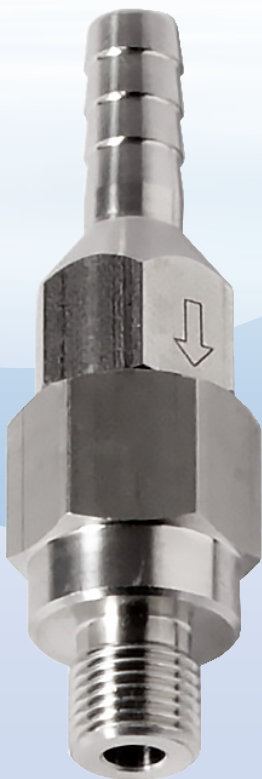


KYTOLA® check valve Model CV is a spring loaded device, which allows free flow of medium in one direction but closes immediately upon flow ceasing or changing direction.

Reverse flow is prevented, thereby protecting any measuring or regulating equipment from process media.



- Closes if flow stops or reverses
- Withstands corrosive media
- Maximum pressure 300 bar
- Easily removed

## CHECK VALVE CV

### FEATURES

- Robust stainless steel construction
- Can be mounted in any position

### TYPICAL APPLICATIONS

- Liquid feed lines
- Gas feed lines
- Pressurised sealing water systems

| Model | CV |
|-------|----|
|-------|----|

|                            |          |
|----------------------------|----------|
| Body                       | AISI 316 |
| Seals                      | Viton®   |
| Max. pressure              | 300 bar  |
| Max. differential pressure | 5 bar    |
| Opening pressure           | 0.25 bar |

CV

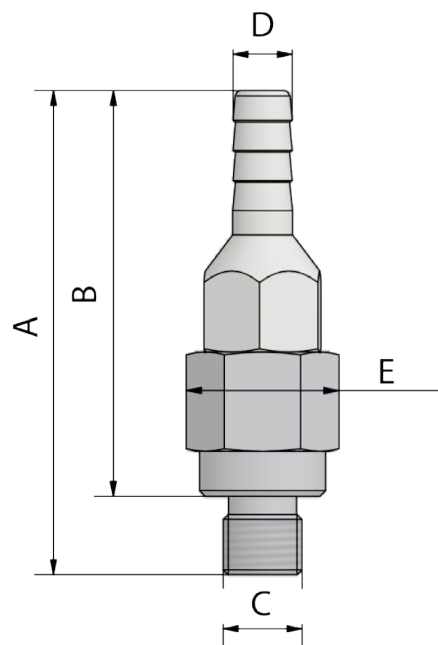
## Connections

|     |   |
|-----|---|
| G   | R |
| NPT | N |

## Inlet

## Outlet

|                            |            |        |
|----------------------------|------------|--------|
| 10mm (3/8") hose connector | G/NPT 1/4" | 1/4-10 |
| 10mm (3/8") hose connector | G/NPT 3/8" | 3/8-10 |
| 10mm (3/8") hose connector | G/NPT 1/2" | 1/2-10 |



| Size   | A    | B    | C     | D   | E  |
|--------|------|------|-------|-----|----|
| 1/4-10 | 80,5 | 67,5 | G 1/4 | Ø10 | 22 |
| 3/8-10 | 59   | 46   | G 3/8 | Ø10 | 19 |
| 1/2-10 | 68,5 | 51   | G 1/2 | Ø10 | 22 |