

KYTOLA® Model VEx multi-tube variable area flow meter is designed for reliable measuring and monitoring of liquid and gas flows.

It comes in a range of different options and offers a choice of end blocks – aluminium, stainless steel AISI 316 or polyamide.



VE6A

VE3K

- Sturdy construction
- Multi-tube version, 1 – 7 flow tubes
- Easy to install, clean, and maintain
- Alarm-ready

## FLOW METER VEx

### FEATURES

- Large selection of materials
- Built-in flow adjustment valve and quick change flow tube

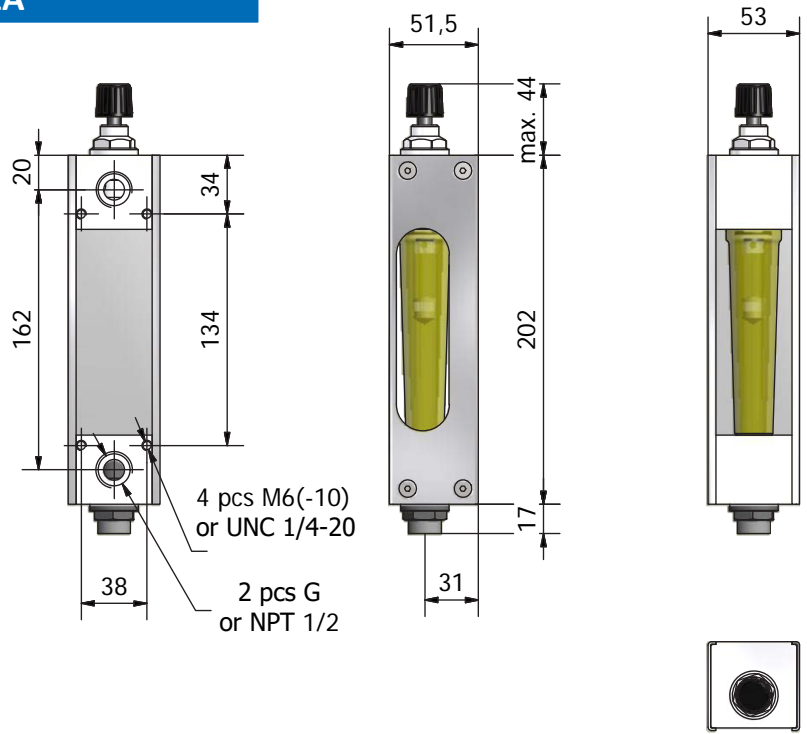
### TYPICAL APPLICATIONS

- Lubrication oil measurement
- Sealing and cooling water measurement
- Flush water applications
- Gas flow measurements

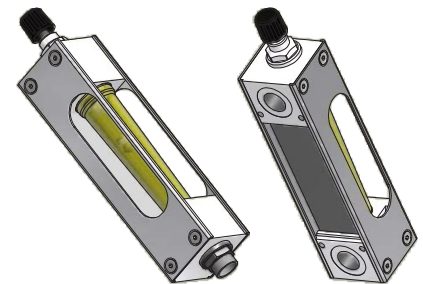
### OPTIONS

- Low flow alarm
- Viton or EPDM seals
- PES flow tube

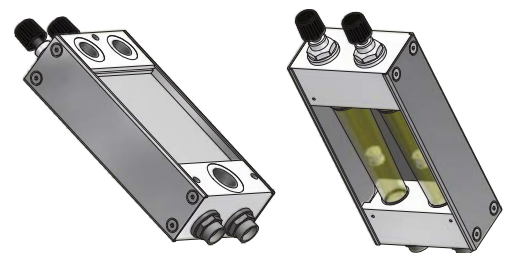
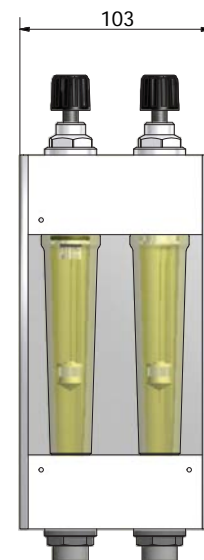
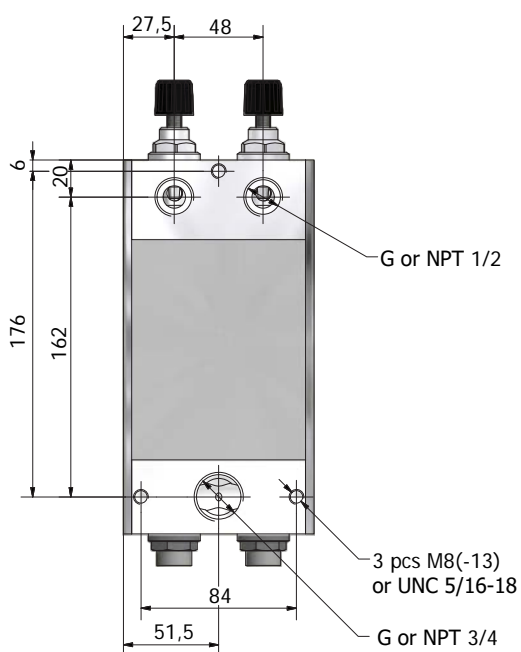
## VEA



NOTE: These measurements of model VExA also apply to models VExH and VExK, except that those are without alarm sensor sockets (17 mm) in the lower end block.



## VE2A



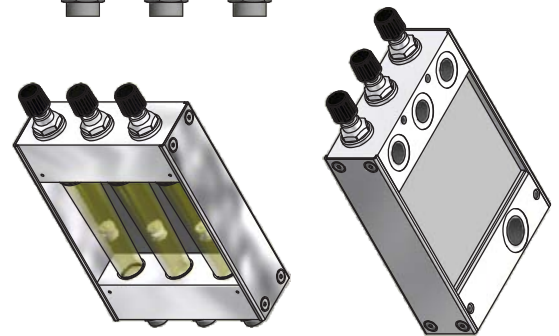
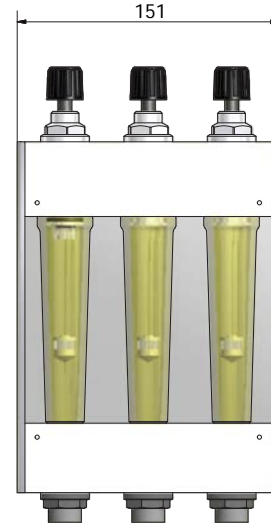
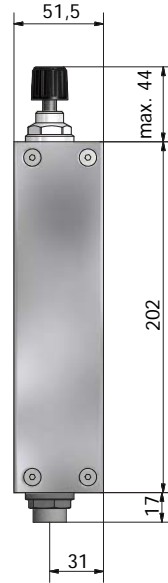
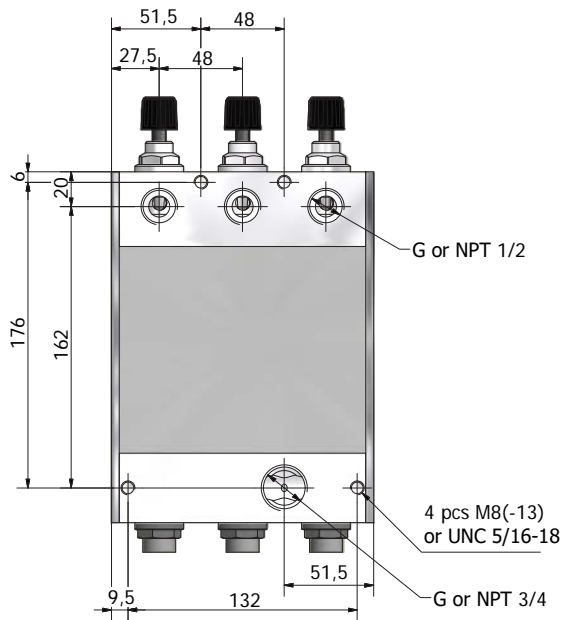
**Kytola**  
INSTRUMENTS

www.kytola.com

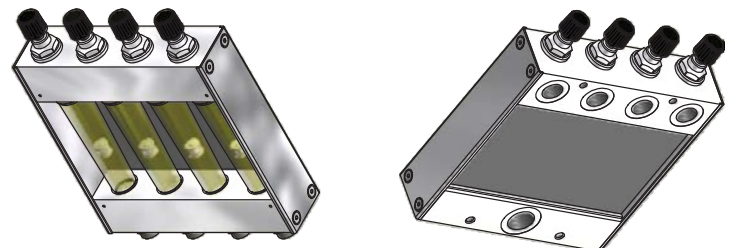
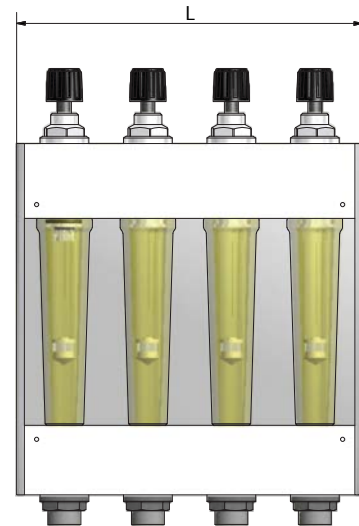
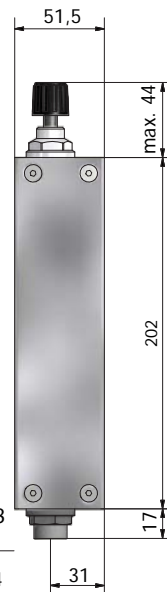
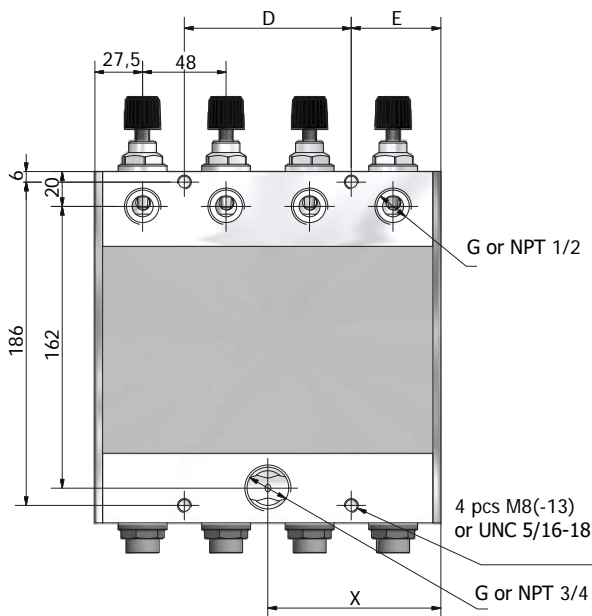


**Kytola Instruments Oy**  
Olli Kytölän tie 1  
FI-40950 Muurame, Finland  
Tel. +358 20 779 0690  
info@kytola.com

## VE3A



## VE4A (...VE7A)



	VE4A	VE5A	VE6A	VE7A
L	199	247	295	343
X	99.5	99.5	147.5	147.5
D	96	144	192	240
E	51.5	51.5	51.5	51.5

**Kytola**  
INSTRUMENTS

www.kytola.com



**Kytola Instruments Oy**  
Olli Kytölän tie 1  
FI-40950 Muurame, Finland  
Tel. +358 20 779 0690  
info@kytola.com

Model	VExA	VExH	VExK
End blocks	Aluminium	AISI 316	Nylon
Side plates	AISI 316	AISI 316	AISI 316
Max. pressure	30 bar	30 bar	20 bar
Max. temperature	80°C (*120°C)	80°C (*120°C)	80°C
Weight	0.75 kg per flow tube	2.00 kg per flow tube	0.95 kg per flow tube
Valve housing	Aluminium	AISI 316	AISI 316
Valve spindle	AISI 316	AISI 316	AISI 316
Flow tube	Grilamid (PA-12) (*PES)		
Connections	Multi-tube version: common inlet G/NPT 3/4", outlets G/NPT 1/2"		
Float	AISI 329 or AISI 329/PTFE (depending on range)		
Seals	Nitrile (*Viton®, EPDM)		
Accuracy	±5% F.S. (H <sub>2</sub> O, +20°C)		

\*Special construction on request

VE ■ ■ - ■ ■ - ■ ■

### Flow Tubes

Single tube *blank*  
 Number of flow tubes **x**  
 VExA: max 7; VExH, VExK: max 3

### End Block Material

Aluminium (not for H<sub>2</sub>O) **A**  
 AISI 316 **H**  
 Nylon **K**

### Flow Range

H<sub>2</sub>O L/min      Air NL/min

0.4 – 2	15 – 70	<b>6H*</b>
0.75 – 3	30 – 130	<b>3H*</b>
1.25 – 5	40 – 180	<b>3K*</b>
2 – 9	60 – 260	<b>3L*</b>
2.5 – 10	75 – 300	<b>3M*</b>
2 – 15	75 – 400	<b>4N*</b>
4 – 16	100 – 450	<b>4D*</b>
4 – 22	100 – 650	<b>4E*</b>
5 – 30	150 – 700	<b>4F*</b>

### Scale

H<sub>2</sub>O (L/min) at +20°C **A**  
 Air (NL/min) at +20°C/1.013 bar (abs) **R**

### Features

Alarm readiness \*\* **D**  
 G connections *blank*  
 NPT connections **N**  
 Grilamid flow tube, nitrile seals *blank*  
 PES flow tube, nitrile seals **V**  
 PES flow tube, Viton® seals **W**  
 Grilamid flow tube, Viton® seals **X**  
 Standard feature: leave *blank*  
 Special feature: choose character

\* Air flow ranges (20°C/1.013 bar abs) for calibration purposes only

\*\* Only models VEA...VE7A, VEH, VE2H, VEK, VE2K