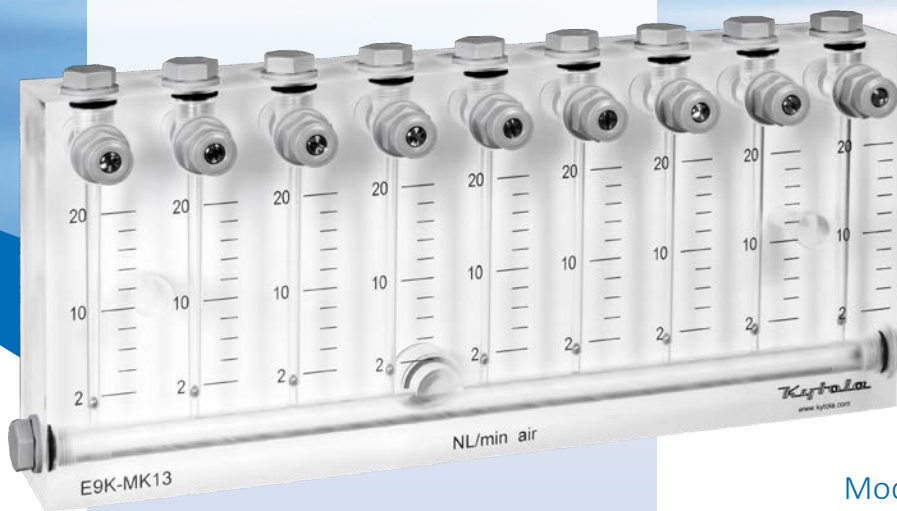


The KYTOLA® Variable Area Flow Meter Model ExK is the multi-tube version of Kytola Model E. It is a reliable and easy-to-read instrument for measuring and monitoring liquid and gas flows.

Model ExK is perfect for multi-point cooling or purging applications where a common inlet with several outlets removes the need for multiple flow meters.



FLOW METER ExK

Model ExK comes with many options, and it is also available in customized designs.

- For liquid or gas
- 2 – 12 flow tubes
- Several flow ranges
- Clear, easy-to-read scale

FEATURES

Acrylic body

Flow adjustment valve on the outlet

TYPICAL APPLICATIONS

Water and air purging

Gas and liquid measurements

CO₂ control in greenhouses

OPTIONS

Special scale markings

Thread adapters

Hand knobs in valves

Viton® or EPDM seals

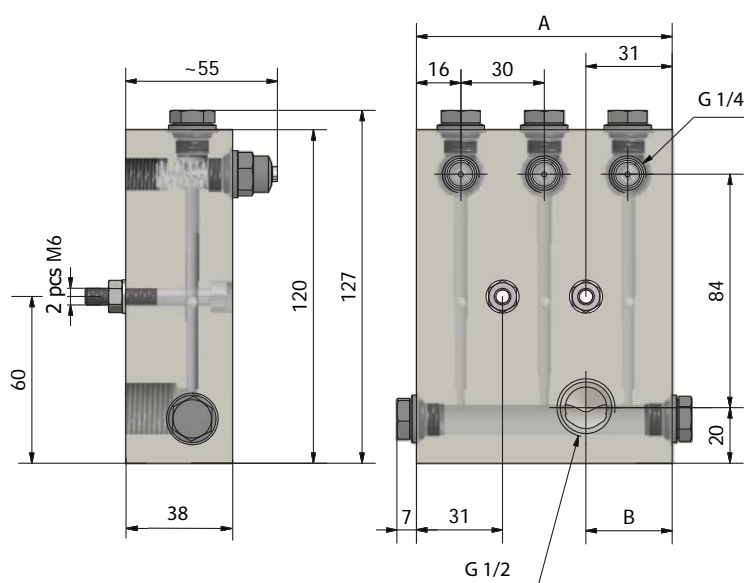
Model	ExK	ExH
Valve housing / plugs	Nylon	AISI 316
Weight	170 g per flow tube	200 g per flow tube
Valve spindle	AISI 316	
Body	Acrylic (PMMA)	
Seals	Nitrile (*Viton®, EPDM)	
Max. pressure	20 bar (30 bar / 30°C)	
Max. temperature	75°C	
Valve location	Outlet	
Connections	G 1/4" outlet, G 1/2" inlet, thread adapters must be used for NPT	
Accuracy	±5% F.S. (H ₂ O, +20°C)	

*Special construction on request

E					
Tubes					
Number of tubes (2–12)	x				
Valve Housing / Plug Material					
Nylon				K	
AISI 316				H	
Flow Range					
H₂O	Air NL/min				
2 – 15 mL/min	0.1 – 0.8			2K*	
2.5 – 30 mL/min	0.1 – 1.2			2L*	
5 – 50 mL/min	0.2 – 1.7			2M*	
10 – 80 mL/min	0.4 – 2.6			2N*	
0.01 – 0.11 L/min	0.5 – 5			3K*	
0.02 – 0.18 L/min	0.5 – 6.5			3L*	
0.025 – 0.3 L/min	0.5 – 9			3M*	
0.05 – 0.45 L/min	1 – 12			3N*	
0.05 – 0.5 L/min	2 – 18			4B*	
0.1 – 1.1 L/min	4 – 32			4A*	
0.2 – 1.6 L/min	6 – 44			5E*	
0.2 – 2.2 L/min	5 – 60			5S*	
0.5 – 2.5 L/min	15 – 75			5F*	
Scale					
H ₂ O (L/min) at +20°C				A	
Air (NL/min) at +20°C / 1.013 bar (abs)				R	
Special Features					
Hand knob				H	
Nitrile seals (standard)				blank	
Viton® seals				V	

* Air flow ranges (20°C/1.013 bar abs) for calibration purposes only

NOTE: Thread adapters must be used for NPT connections.



	E2K	E3K	E4K	E5K	E6K	E7K	E8K	E9K	E10K	E11K	E12K
A	62	92	122	152	182	212	242	272	302	332	362
B	31	31	61	61	91	91	121	121	151	151	181

