

The KYTOLA® Variable Area Flow Meter Model ExK is the multi-tube version of Kytola Model E. It is a reliable and easy-to-read instrument for measuring and monitoring liquid and gas flows.

Model ExK is perfect for multi-point cooling or purging applications where a common inlet with several outlets removes the need for multiple flow meters.



## FLOW METER ExK, ExH

Model ExK comes with many options, and it is also available in customized designs.

- For liquid or gas
- 2 – 12 flow tubes
- Several flow ranges
- Clear, easy-to-read scale

### FEATURES

- Acrylic body
- Flow adjustment valve on the outlet

### TYPICAL APPLICATIONS

- Water and air purging
- Gas and liquid measurements
- CO<sub>2</sub> control in greenhouses

### OPTIONS

- Special scale markings
- Thread adapters
- Hand knobs in valves
- Viton® or EPDM seals

Model	ExK	ExH
Valve housing / plugs	Nylon	AISI 316
Valve spindle	AISI 316	AISI 316
Body	Acrylic (PMMA)	
Seals	Nitrile (*Viton®, EPDM)	
Max. pressure	290 psi (20 bar), 435 psi at 86°F (30 bar / 30°C)	
Max. temperature	167°F (75°C)	
Connections	G 1/4", G 1/2", thread adapters must be used for NPT connections	
Valve location	Outlet	
Accuracy	±5% F.S. (H <sub>2</sub> O, 70°F/20°C)	
Weight	6 oz (170 g) per flow tube	7 oz (200 g) per flow tube

\*Special construction on request

Tubes		Valve Housing / Plug Material	
Number of tubes (2-12)	x	Nylon	K
		AISI 316	H

Flow Range H <sub>2</sub> O		Flow Range Air		
USGPH	L/min	SCFH	NL/min	
0.02 – 0.24	2 – 15 mL/min	0.2 – 1.9	0.1 – 0.8	2K*
0.05 – 0.475	2.5 – 30 mL/min	0.2 – 2.7	0.1 – 1.2	2L*
0.1 – 0.8	5 – 50 mL/min	0.6 – 3.8	0.2 – 1.7	2M*
0.15 – 1.35	10 – 80 mL/min	1 – 6.0	0.4 – 2.6	2N*
0.1 – 1.8	0.01 – 0.11	0.5 – 12	0.5 – 5	3K*
0.2 – 3.0	0.02 – 0.18	1 – 15	0.5 – 6.5	3L*
0.5 – 5.0	0.025 – 0.3	2 – 20	0.5 – 9	3M*
0.5 – 7.0	0.05 – 0.45	2.5 – 27.5	1 – 12	3N*
1 – 8.0	0.05 – 0.5	4 – 42	2 – 18	4B*
1 – 18	0.1 – 1.1	10 – 75	4 – 32	4A*
5 – 25	0.2 – 1.6	15 – 100	6 – 44	5E*
2.5 – 35	0.2 – 2.2	10 – 140	5 – 60	5S*
5 – 40	0.5 – 2.5	30 – 170	15 – 75	5F*

Scale	
H <sub>2</sub> O L/min (20°C) (mL/min for 2K...2N)	A
H <sub>2</sub> O USGPH (70°F)	N
Air NL/min (20°C, 1.013 bar abs)	R
Air SCFH (70°F, 14.7 psia)	V
Dual scale USGPH H <sub>2</sub> O and SCFH air	L
Relative scale 1-10	D

Features	
Hand knob	H
Nitrile seals	blank
Viton® seals	V
EPDM seals	Y

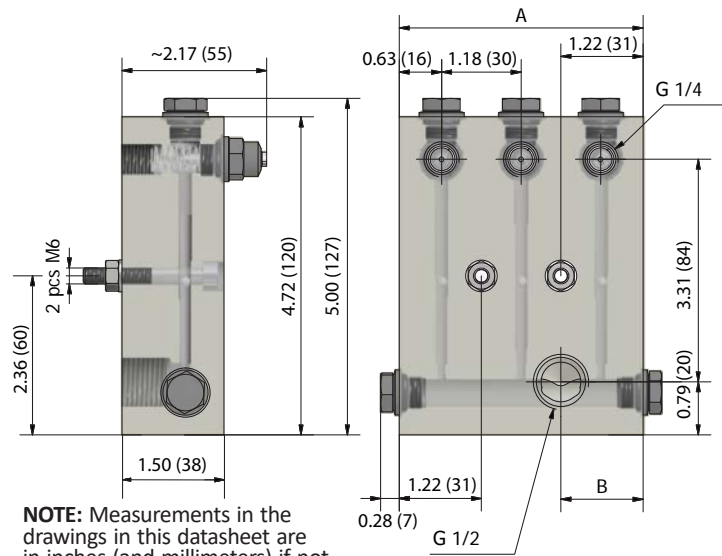
Standard feature: leave blank  
Special feature: choose a character

\* Air flow ranges 70°F/ 14.7 psia (20°C/1.013 bar abs) for calibration purposes only

NOTE: Thread adapters must be used for NPT connections.

**NPT Adapters**

ZADR1/4NK	Nylon thread adapter	1/4" G to 1/4" NPT (outlet)
ZADR1/4N3/8K	Nylon thread adapter	1/4" G to 3/8" NPT (outlet)
ZADR1/2N3/8K	Nylon thread adapter	1/2" G to 3/8" NPT (inlet)
ZADR1/2NK	Nylon thread adapter	1/2" G to 1/2" NPT (inlet)
ZADR1/2N3/4K	Nylon thread adapter	1/2" G to 3/4" NPT (inlet)



NOTE: Measurements in the drawings in this datasheet are in inches (and millimeters) if not stated otherwise.

	E2K	E3K	E4K	E5K	E6K	E7K	E8K	E9K	E10K	E11K	E12K
<b>A</b>	2.44 (62)	3.62 (92)	4.80 (122)	5.98 (152)	7.16 (182)	8.35 (212)	9.53 (242)	10.71 (272)	11.89 (302)	13.07 (332)	14.25 (362)
<b>B</b>	1.22 (31)	1.22 (31)	2.40 (61)	2.40 (61)	3.58 (91)	3.58 (91)	4.76 (121)	4.76 (121)	5.94 (151)	5.94 (151)	7.13 (181)

