

KYTOLA® variable area flow meter model K Smart with mA output signal is ideal for applications and environments that benefit from both visual flow reading on site and remote flow rate monitoring in an automation system or control room.



- Safe and reliable visual flow reading and verification through a transparent flow tube
- 4-20 mA output signal for remote monitoring
- No sensors in contact with the fluid
- Reliable measurement of fluids with contaminants
- Sturdy impact resistant construction
- Customer-specific scales for real operating conditions

ISO 9001 ISO 14001

FLOW METER K Smart

FEATURES

- 4 – 20 mA output, 3-wire
- Alarm LEDs for flow alarm indication
- Compensation for external electro-magnetic field effects
- USB-C port for parameter settings
- Configuration with VA Config application




TYPICAL APPLICATIONS

- Cooling water measurement
- Seal water measurement
- Flush water applications
- Air and gas flow measurement

OPTIONS

- With or without flow adjustment valve
- Optional materials for specific applications
- Inductive flow alarm sensor for low and high flow alarms

Model	KLAS	KLHS	KLKS
End blocks	Aluminium	AISI 316	Nylon
Side plates	AISI 316	AISI 316	AISI 316
Max. pressure	30 bar	30 bar	20 bar
Max. temperature	80°C (*120°C)	80°C (*120°C)	80°C
Weight, incl. mA transmitter	2.0 kg	3.2 kg	1.5 kg
Flow tube	Grilamid (PA-12) (*PES)		
Connections	G 1" or NPT 1"		
Float	AISI 316L		
Seals	Nitrile (*Viton®, EPDM)		
Accuracy	±5% F.S. (H ₂ O, +20°C)		
*Special construction on request			

mA transmitter VA Smart	
Power supply	24 VDC / 0.1 A
Output	4 - 20 mA, 3-wire
Local alarm LEDs	Green (blinks): within set limits  Yellow: high flow alarm  Red: low flow alarm 
Enclosure	Polyamide
Ambient temperature	0...+80°C
Protection class	IP65
Cable length	2 m

KL S - - M

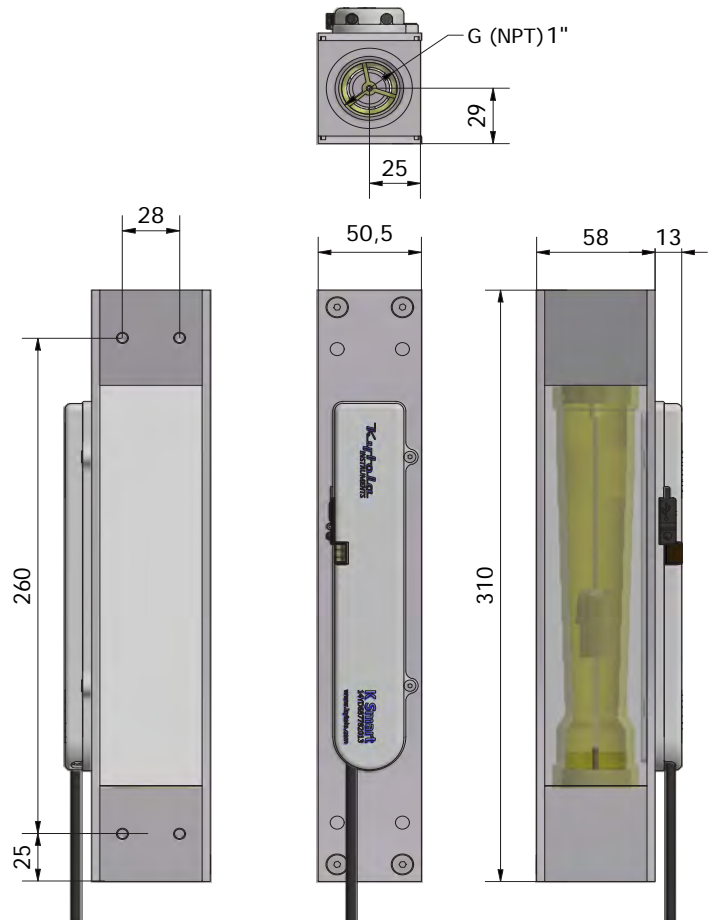
End Block Material		
Aluminium (not for H ₂ O)	A	
AISI 316	H	
Nylon	K	

Flow Range		
H ₂ O L/min	Air NL/min	
7.5 - 40	200 - 1200	4A
10 - 55	200 - 1500	4B
10 - 65	300 - 1800	4C
10 - 85	400 - 2200	4D
10 - 120	400 - 3000	4E

Scale		
H ₂ O (L/min) at +20°C	A	
Air (NL/min) at +20°C/1.013 bar (abs)	R	




Features		
Ready for inductive flow alarm sensor	D	
G 1" connections	blank	
NPT 1" connections	N	
Grilamid flow tube, nitrile seals	blank	
PES flow tube, nitrile seals	V	
PES flow tube, Viton® seals	W	
Grilamid flow tube, Viton® seals	X	

Standard feature: leave blank
Special feature: choose character



Model	KAS	KHS	KKS
End blocks	Aluminium	AISI 316	Nylon
Side plates	AISI 316	AISI 316	AISI 316
Max. pressure	30 bar	30 bar	20 bar
Max. temperature	80°C (*120°C)	80°C (*120°C)	80°C
Weight, incl. mA transmitter	2.0 kg	3.2 kg	1.5 kg
Valve housing	Aluminium	AISI 316	AISI 316
Valve spindle	AISI 316	AISI 316	AISI 316
Flow tube	Grilamid (PA-12) (*PES)		
Connections	G 1" or NPT 1"		
Float	AISI 316L		
Seals	Nitrile (*Viton®, EPDM)		
Accuracy	±5% F.S. (H ₂ O, +20°C)		
			*Special construction on request

mA transmitter VA Smart

Power supply	24 VDC / 0.1 A
Output	4 - 20 mA, 3-wire
Local alarm LEDs	Green (blinks): within set limits  Yellow: high flow alarm  Red: low flow alarm 
Enclosure	Polyamide
Ambient temperature	0...+80°C
Protection class	IP65
Cable length	2 m

K ■ S - ■ ■ - M ■

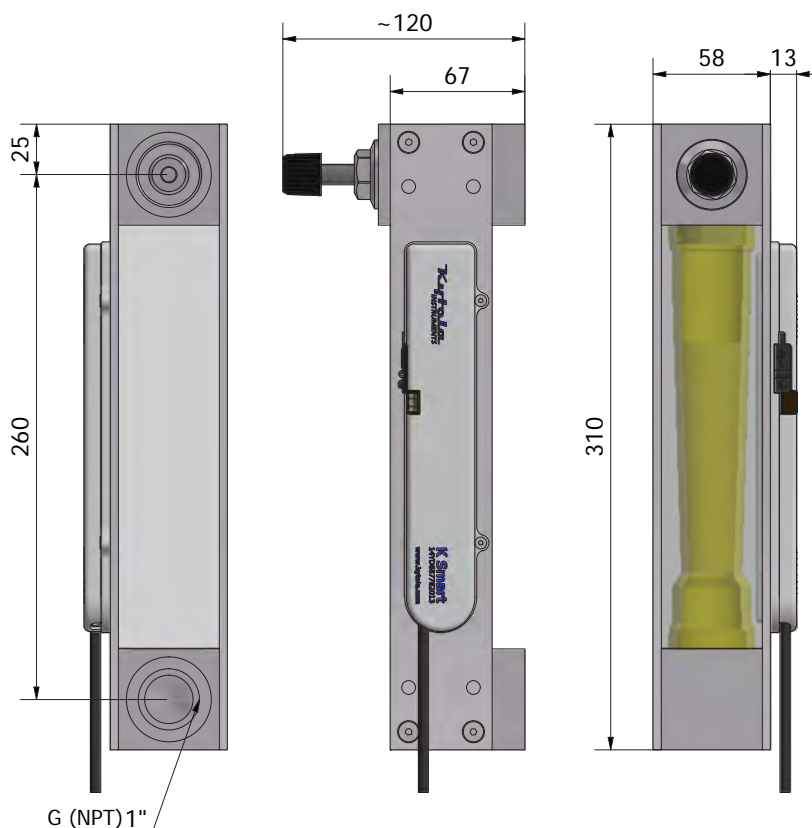
End Block Material		
Aluminium (not for H ₂ O)	A	
AISI 316	H	
Nylon	K	

Flow Range		
H ₂ O L/min	Air NL/min	
7.5 - 40	200 - 1200	4A*
7.5 - 55	200 - 1600	4B*
10 - 65	200 - 1800	4C*
10 - 85	400 - 2600	4D*
10 - 120	400 - 2800	4E*

Scale		
H ₂ O (L/min) at +20°C		A
Air (NL/min) at +20°C/1.013 bar (abs)		R

Features		
Ready for inductive flow alarm sensor		D
G 1" connections		blank
NPT 1" connections		N
Grilamid flow tube, nitrile seals		blank
PES flow tube, nitrile seals		V
PES flow tube, Viton® seals		W
Grilamid flow tube, Viton® seals		X




Standard feature: leave blank
Special feature: choose character



* Air flow ranges (20°C/1.013 bar abs) for calibration purposes only

Model	KDAS	KDHS	KDKS
End blocks	Aluminium	AISI 316	Nylon
Side plates	AISI 316	AISI 316	AISI 316
Max. pressure	30 bar	30 bar	20 bar
Max. temperature	80°C (*120°C)	80°C (*120°C)	80°C
Weight, incl. mA transmitter	2.0 kg	3.2 kg	1.5 kg
Valve housing	Aluminium	AISI 316	AISI 316
Valve spindle	AISI 316	AISI 316	AISI 316
Flow tube	Grilamid (PA-12) (*PES)		
Connections	G 1" or NPT 1"		
Float	AISI 316L		
Seals	Nitrile (*Viton®, EPDM)		

*Special construction on request

mA transmitter VA Smart	
Power supply	24 VDC / 0.1 A
Output	4 - 20 mA, 3-wire
Local alarm LEDs	Green (blinks): within set limits  Yellow: high flow alarm  Red: low flow alarm 
Enclosure	Polyamide
Ambient temperature	0...+80°C
Protection class	IP65
Cable length	2 m

KD S - - **M**

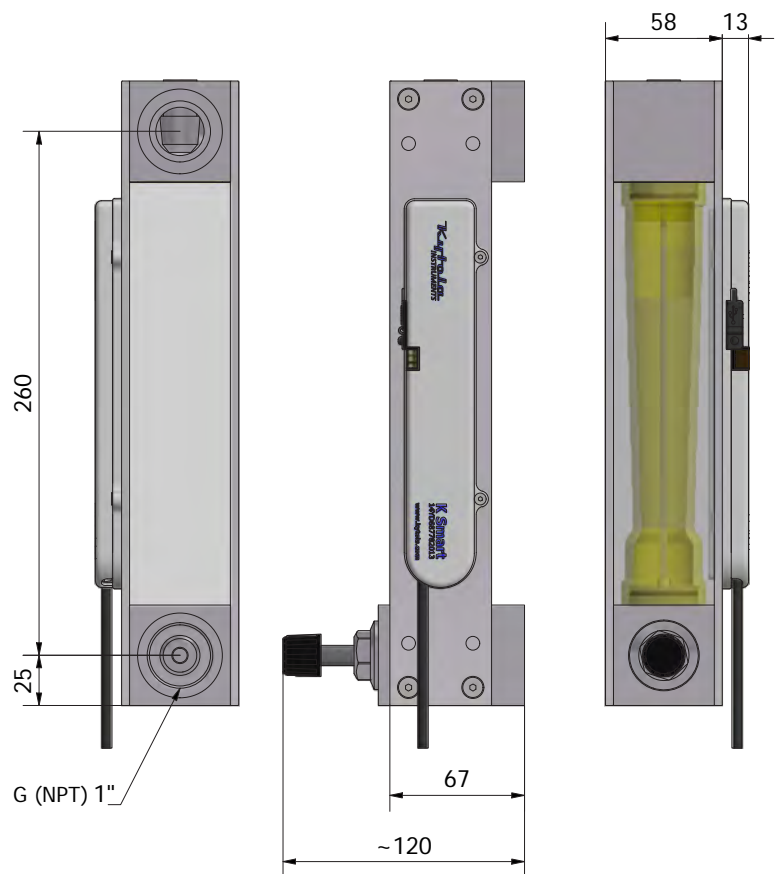
End Block Material	
Aluminium	A
AISI 316	H
Nylon	K

Flow Range	
Air NL/min	
200 – 1200	4A
200 – 1700	4B
300 – 2000	4C
400 – 2600	4D
400 – 3000	4E

Scale	
Air (NL/min) at +20°C/1.013 bar (abs)	R
4 – 20 mA output	

Features	
Ready for inductive flow alarm sensor	D
G 1" connections	<i>blank</i>
NPT 1" connections	N
Grilamid flow tube, nitrile seals	<i>blank</i>
PES flow tube, nitrile seals	V
PES flow tube, Viton® seals	W
Grilamid flow tube, Viton® seals	X

Standard feature: leave *blank*
Special feature: choose character



Copyright © Kytola Instruments Oy 2024. Dimensions and measurements are given within normal tolerances. Manufacturer reserves the right to changes without prior notification. File: KSmart_es11_en Published 7/2024.