

KYTOLA® Model K Smart variable area flow meter with mA output is designed for reliable measuring and monitoring of liquid and gas flows.

It comes in a range of different options and offers a choice of end blocks – aluminium, stainless steel AISI 316 or polyamide.



- 4 – 20 mA output, 3-wire
- Easy compensation for external electromagnetic field effects
- USB-C port for parameter setting
- Easy configuration with VA Config application
- Sturdy construction
- Protected flow tube
- Scales for alternative liquids and gases

ISO 9001 ISO 14001

FLOW METER K Smart

FEATURES

- 4 – 20 mA output
- Alarm LEDs for flow alarm indication
- Ready for inductive flow alarm sensor
- Stainless steel side plates
- Large selection of materials

TYPICAL APPLICATIONS

- Cooling water measurement
- Sealing water measurement
- Flush water applications
- Gas flow measurement

OPTIONS

- Separate inductive flow alarm sensor
- PES flow tube
- Viton or EPDM seals

Model	KLAS	KLHS	KLKS
End blocks	Aluminium	AISI 316	Nylon
Side plates	AISI 316	AISI 316	AISI 316
Max. pressure	440 psi (30 bar)	440 psi (30 bar)	290 psi (20 bar)
Max. temperature	175°F (80°C), *248°F (120°C)	175°F (80°C), *248°F (120°C)	175°F (80°C)
Weight, incl. mA transmitter	4.4 lbs (2.0 kg)	7.1 lbs (3.2 kg)	3.3 lbs (1.5 kg)
Flow tube	Grilamid (PA-12) (*PES)		
Connections	G 1" or NPT 1"		
Float	AISI 316L		
Seals	Nitrile (*Viton®, EPDM)		
Accuracy	±5% F.S. H ₂ O, 70°F (20°C)		

*Special construction on request

mA transmitter VA Smart	
Power supply	24 VDC / 0.1 A
Output	4 - 20 mA, 3-wire
Local alarm LEDs	Green (blinks): within set limits Yellow: high flow alarm Red: low flow alarm
Enclosure	Polyamide
Ambient temperature	32...+175°F (0...80°C)
Protection class	IP65
Cable length	6.5 ft (2 m)

KL S - M

End Block Material	
Aluminium (not for H ₂ O)	A
AISI 316	H
Nylon	K

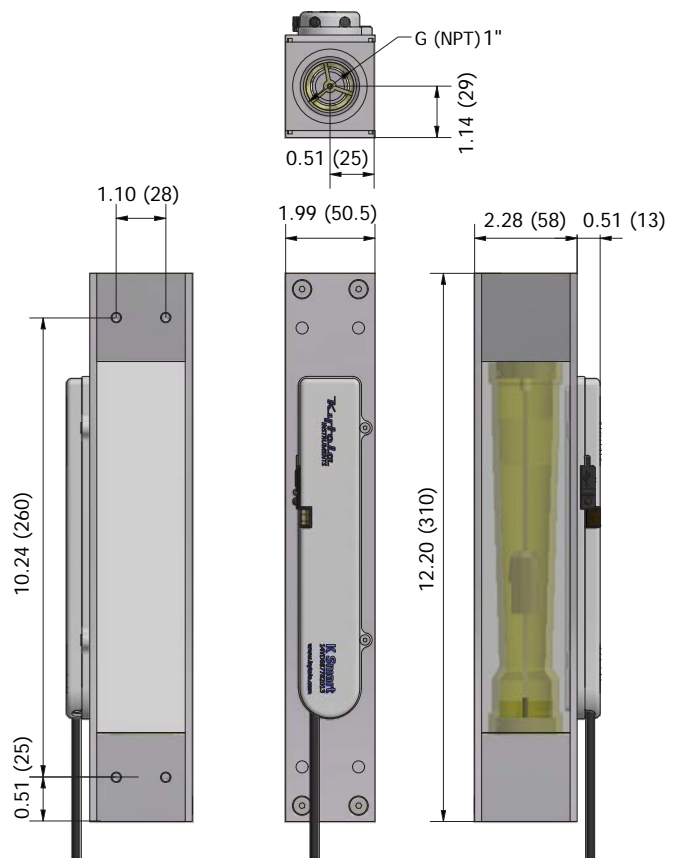
Flow Range				
H ₂ O USGPM	H ₂ O L/min	Air SCFM	Air NL/min	
2-11	7.5-40	7.5-45	200-1200	4A
2.5-15	10-55	10-60	200-1500	4B
2.5-17	10-65	10-65	300-1800	4C
4-22	10-85	10-85	400-2200	4D
2.5-27.5	10-120	20-120	400-3000	4E

Scale	
H ₂ O L/min (20°C)	A
H ₂ O USGPM (70°F)	G
Air NL/min (20°C/1.013 bar abs)	R
Air SCFM (70°F/14.7 psia)	T
Relative scale 0 - 10	D

4 - 20 mA output

Features	
Ready for inductive flow alarm sensor	D
G 1" connections	blank
NPT 1" connections	N
Grilamid flow tube, nitrile seals	blank
PES flow tube, nitrile seals	V
PES flow tube, Viton® seals	W
Grilamid flow tube, Viton® seals	X
EPDM seals	Y

Standard feature: leave blank
Special feature: choose character



NOTE: Measurements in the drawings in this datasheet are in inches (and millimeters) if not stated otherwise.

Model	KAS	KHS	KKS
End blocks	Aluminium	AISI 316	Nylon
Side plates	AISI 316	AISI 316	AISI 316
Max. pressure	440 psi (30 bar)	440 psi (30 bar)	290 psi (20 bar)
Max. temperature	175°F (80°C), *248°F (120°C)	175°F (80°C), *248°F (120°C)	175°F (80°C)
Weight, incl. mA transmitter	4.4 lbs (2.0 kg)	7.1 lbs (3.2 kg)	3.3 lbs (1.5 kg)
Valve housing	Aluminium	AISI 316	AISI 316
Valve spindle	AISI 316	AISI 316	AISI 316
Flow tube	Grilamid (PA-12) (*PES)		
Connections	G 1" or NPT 1"		
Float	AISI 316L		
Seals	Nitrile (*Viton®, EPDM)		
Accuracy	±5% F.S. H ₂ O, 70°F (20°C)		

*Special construction on request

mA transmitter VA Smart	
Power supply	24 VDC / 0.1 A
Output	4 - 20 mA, 3-wire
Local alarm LEDs	Green (blinks): within set limits Yellow: high flow alarm Red: low flow alarm
Enclosure	Polyamide
Ambient temperature	32...+175°F (0...80°C)
Protection class	IP65
Cable length	6.5 ft (2 m)

K
S

M

End Block Material				
Aluminium (not for H ₂ O)	A			
AISI 316	H			
Nylon	K			

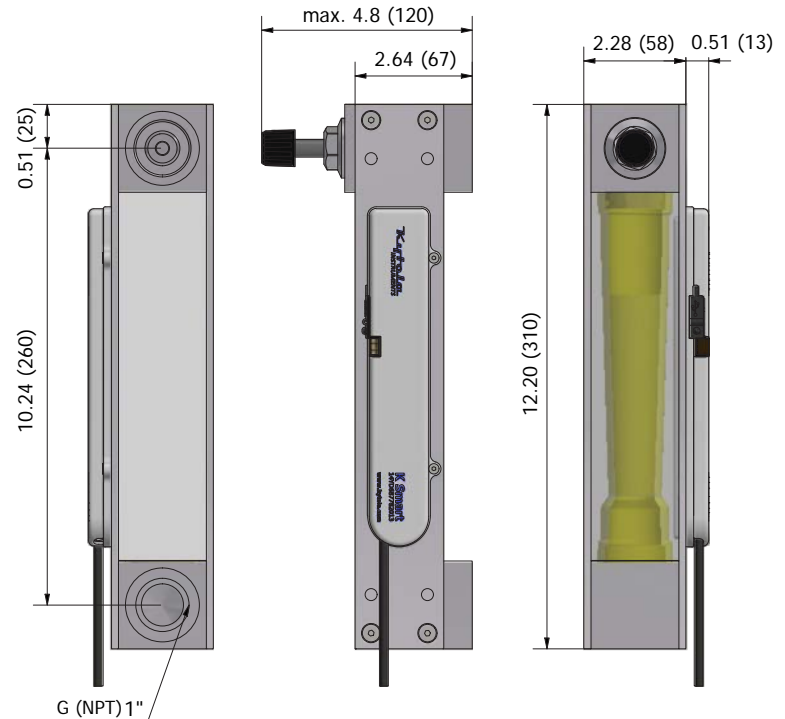
Flow Range				
H ₂ O USGPM	H ₂ O L/min	Air SCFM	Air NL/min	
2.0-11	7.5-40	7.5-45	200-1200	4A*
2.0-15	7.5-55	10-60	200-1600	4B*
3-17	10-65	10-70	200-1800	4C*
3-22	10-85	10-100	400-2600	4D*
2-30	10-120	10-105	400-2800	4E*

Scale	
H ₂ O L/min (20°C)	A
H ₂ O USGPM (70°F)	G
Air NL/min (20°C/1.013 bar abs)	R
Air SCFM (70°F/14.7 psia)	T
Relative scale 0 - 10	D

4 - 20 mA output

Features	
Ready for inductive flow alarm sensor	D
G 1" connections	<i>blank</i>
NPT 1" connections	N
Grilamid flow tube, nitrile seals	<i>blank</i>
PES flow tube, nitrile seals	V
PES flow tube, Viton® seals	W
Grilamid flow tube, Viton® seals	X
EPDM seals	Y

Standard feature: leave *blank*
Special feature: choose character



* Air flow ranges (70°F/14.7 psia, 20°C/1.013 bar abs) for calibration purposes only

Model	KDAS	KDHS	KDKS
End blocks	Aluminium	AISI 316	Nylon
Side plates	AISI 316	AISI 316	AISI 316
Max. pressure	440 psi (30 bar)	440 psi (30 bar)	290 psi (20 bar)
Max. temperature	175°F (80°C), *248°F (120°C)	175°F (80°C), *248°F (120°C)	175°F (80°C)
Weight, incl. mA transmitter	4.4 lbs (2.0 kg)	7.1 lbs (3.2 kg)	3.3 lbs (1.5 kg)
Valve housing	Aluminium	AISI 316	AISI 316
Valve spindle	AISI 316	AISI 316	AISI 316
Flow tube	Grilamid (PA-12) (*PES)		
Connections	G 1" or NPT 1"		
Float	AISI 316L		
Seals	Nitrile (*Viton®, EPDM)		

*Special construction on request

mA transmitter VA Smart	
Power supply	24 VDC / 0.1 A
Output	4 - 20 mA, 3-wire
Local alarm LEDs	Green (blinks): within set limits Yellow: high flow alarm Red: low flow alarm
Enclosure	Polyamide
Ambient temperature	32...+175°F (0...80°C)
Protection class	IP65
Cable length	6.5 ft (2 m)

KD S - - M

End Block Material		
Aluminium	A	
AISI 316	H	
Nylon	K	

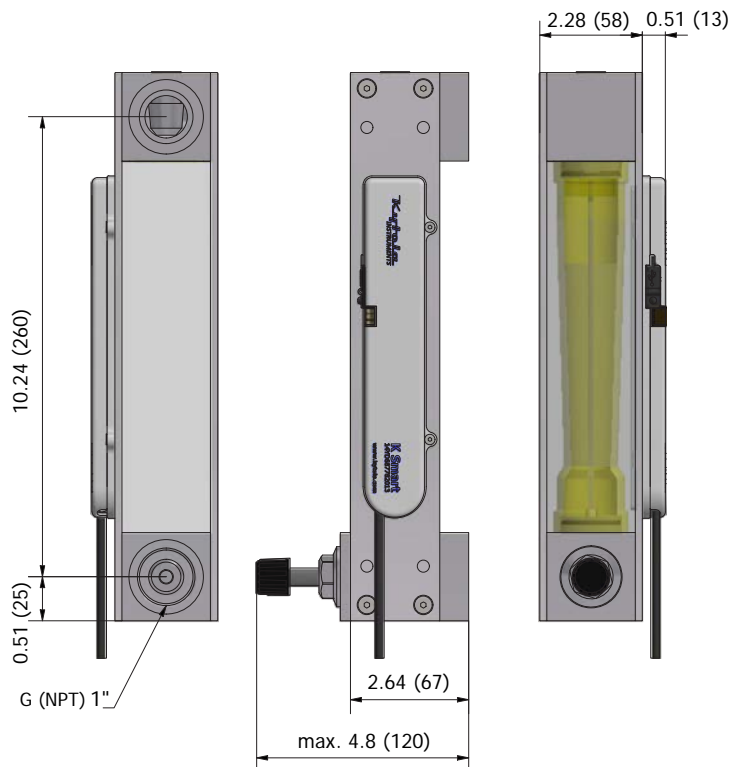
Flow Range			
Air SCFM	Air NL/min		
7.5 - 47.5	200 - 1200		4A
10 - 65	200 - 1700		4B
10 - 75	300 - 2000		4C
10 - 95	400 - 2600		4D
10 - 110	400 - 3000		4E

Scale		
Air NL/min at +20°C/1.013 bar abs	R	
Air SCFM (70°F/14.7 psia)	T	
Relative scale 0 - 10	D	

4 - 20 mA output

Features		
Ready for inductive flow alarm sensor	D	
G 1" connections	blank	
NPT 1" connections	N	
Grilamid flow tube, nitrile seals	blank	
PES flow tube, nitrile seals	V	
PES flow tube, Viton® seals	W	
Grilamid flow tube, Viton® seals	X	
EPDM seals	Y	

Standard feature: leave blank
Special feature: choose character



Copyright © Kytola Instruments Oy 2024. Dimensions and measurements are given within normal tolerances. Manufacturer reserves the right to changes without prior notification. File KSmart_Les11NA_en Published 7/2024.